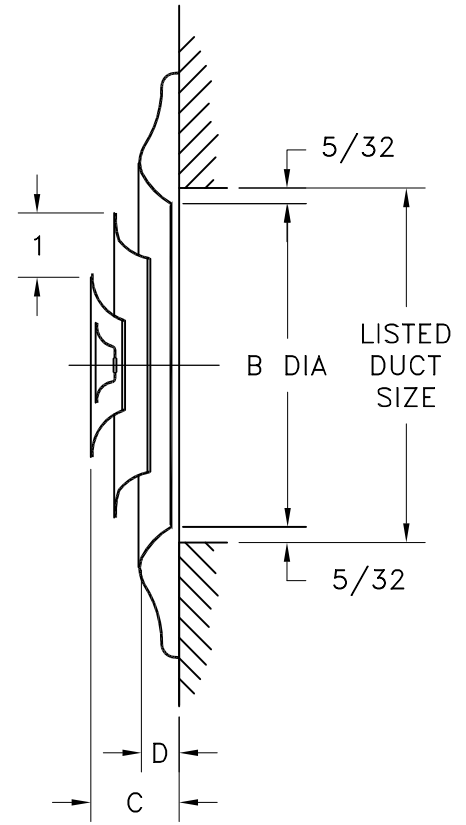
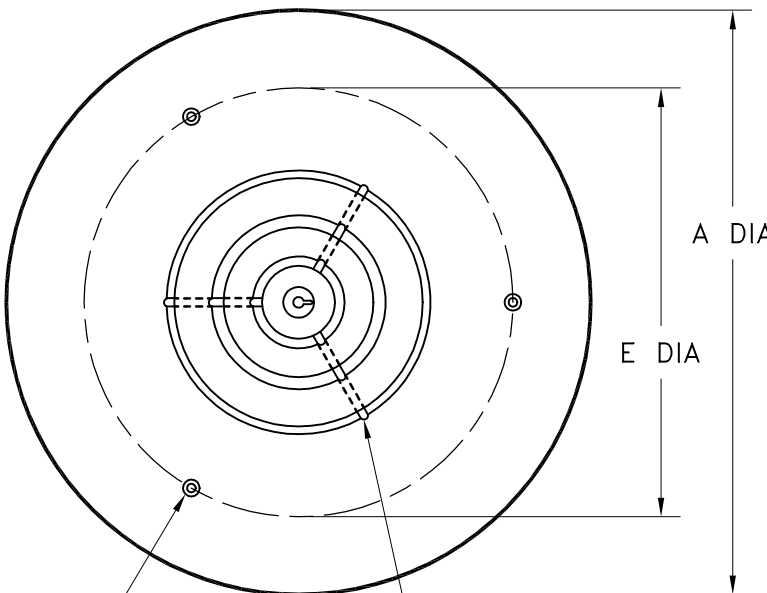


MODEL 150

STEEL ROUND DIFFUSER

STANDARD INDUSTRY TOLERANCES APPLY. SPECIFICATIONS SUBJECT TO CHANGE WITHOUT NOTICE.



3/16 DIA
3 HOLES—SIZES 6 THRU 14
6 HOLES—SIZES 18 & 22

SIZE	A DIA	B DIA	C	D	E DIA
6	9-15/16	5-11/16	1-3/64	11/16	6-1/2
8	11-15/16	7-11/16	1-7/32	11/16	8-1/2
10	13-15/16	9-11/16	1-25/64	11/16	10-1/2
12	15-15/16	11-11/16	1-9/16	11/16	12-1/2
14	17-15/16	13-11/16	1-3/4	11/16	14-1/2
18	23	17-11/16	2-19/32	15/16	21-3/4

Model 150 is a multi-cone round ceiling diffuser with step-down rings which deflect air in a 360 air pattern for maximum efficiency. Outer ring mounts flush to the ceiling. Available in 6"-18" size range. Optional round dampers available. Steel construction. Standard finish is White. 155 Butterfly Damper optional Pg. 129.2.

PROJECT: _____
 ARCHITECT: _____
 ENGINEER: _____
 CONTRACTOR: _____
 LOCATION: _____

