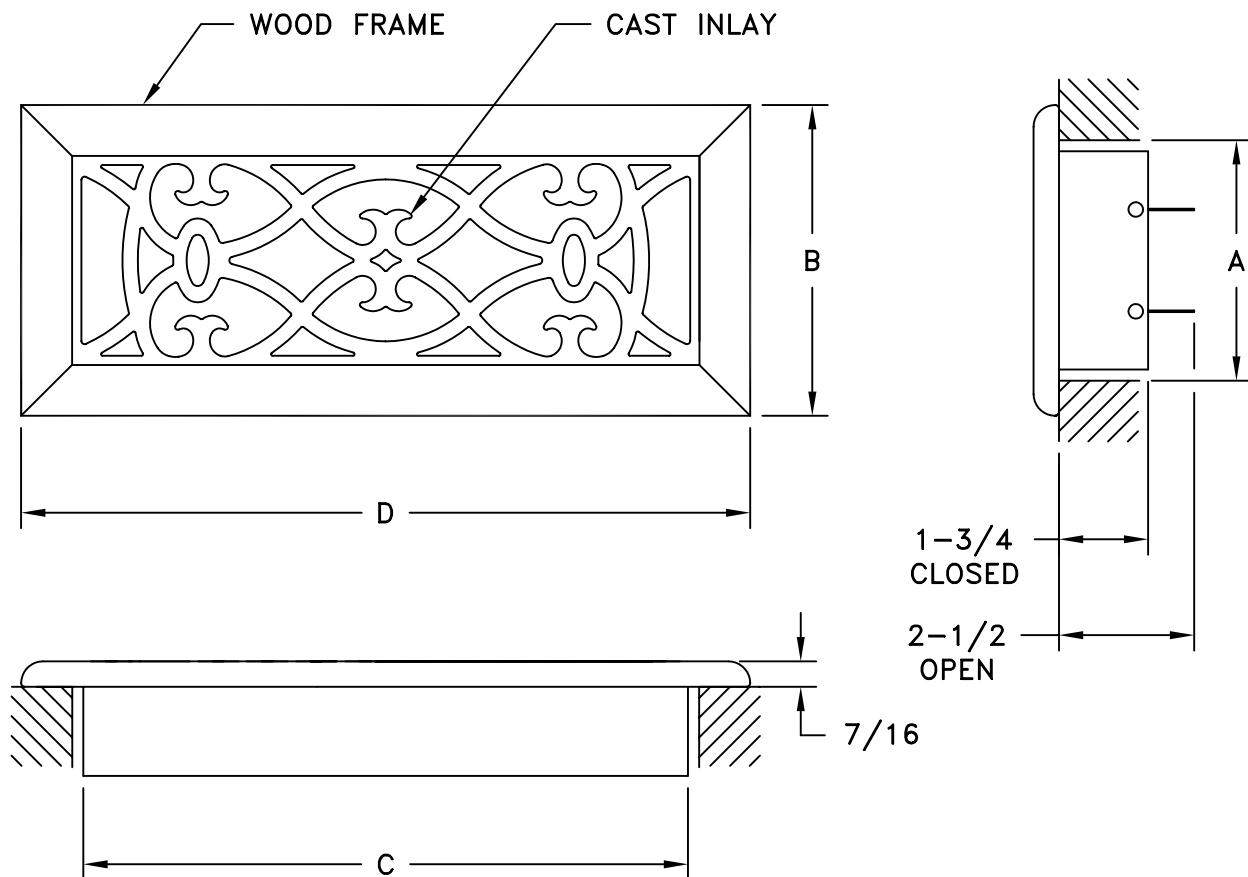


# DECORATIVE SERIES

CAST BRASS AND WOOD INLAY

VICTORIAN FLOOR REGISTER

STANDARD INDUSTRY TOLERANCES APPLY. SPECIFICATIONS SUBJECT TO CHANGE WITHOUT NOTICE.



SIZE A X C	DIMENSIONS OVERALL	
	(SEE DETAIL SKETCHES)	
	B	D
2 X 12	3-1/2	13-3/8
4 X 10	5-1/4	11-3/8
4 X 12	5-1/4	13-3/8
4 X 14	5-1/4	15-3/8

Solid wood frame with cast Victorian inlay. Lever operated steel damper attached. Dark oak with brass finish.

PROJECT: \_\_\_\_\_

ARCHITECT: \_\_\_\_\_

ENGINEER: \_\_\_\_\_

CONTRACTOR: \_\_\_\_\_

LOCATION: \_\_\_\_\_



**J&J REGISTER**  
AIR DISTRIBUTION PRODUCTS