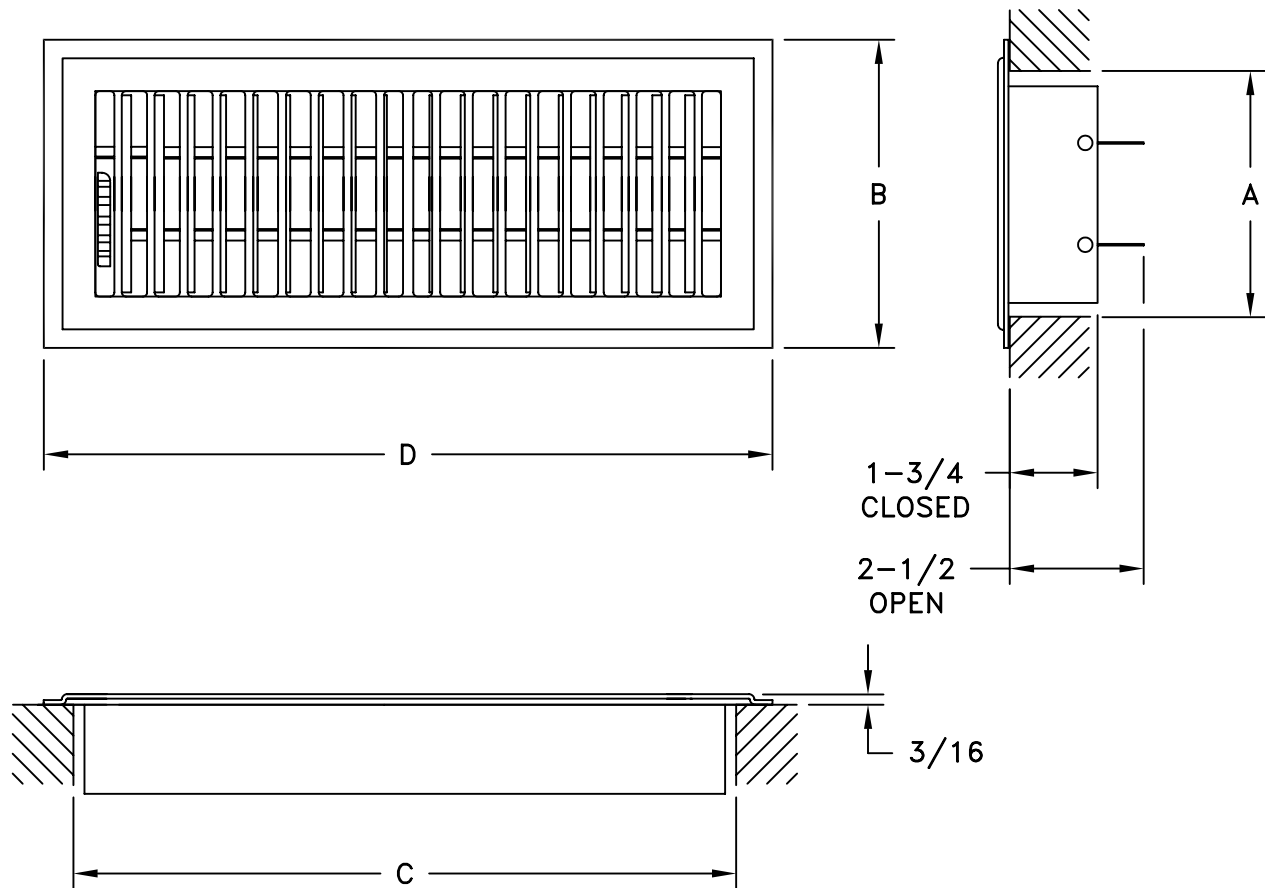


DECORATIVE SERIES

STAMPED CONTEMPORARY FLOOR REGISTER

STANDARD INDUSTRY TOLERANCES APPLY. SPECIFICATIONS SUBJECT TO CHANGE WITHOUT NOTICE.



SIZE A X C	DIMENSIONS OVERALL (SEE DETAIL SKETCHES)	
	B	D
2 X 12	3-5/8	13-3/4
2 X 14	3-5/8	15-3/4
4 X 10	5-1/2	11-3/4
4 X 12	5-1/2	13-3/4

Steel floor register with lever operated damper. Brass plated in the sizes shown.

PROJECT: _____
 ARCHITECT: _____
 ENGINEER: _____
 CONTRACTOR: _____
 LOCATION: _____



J&J REGISTER
 AIR DISTRIBUTION PRODUCTS