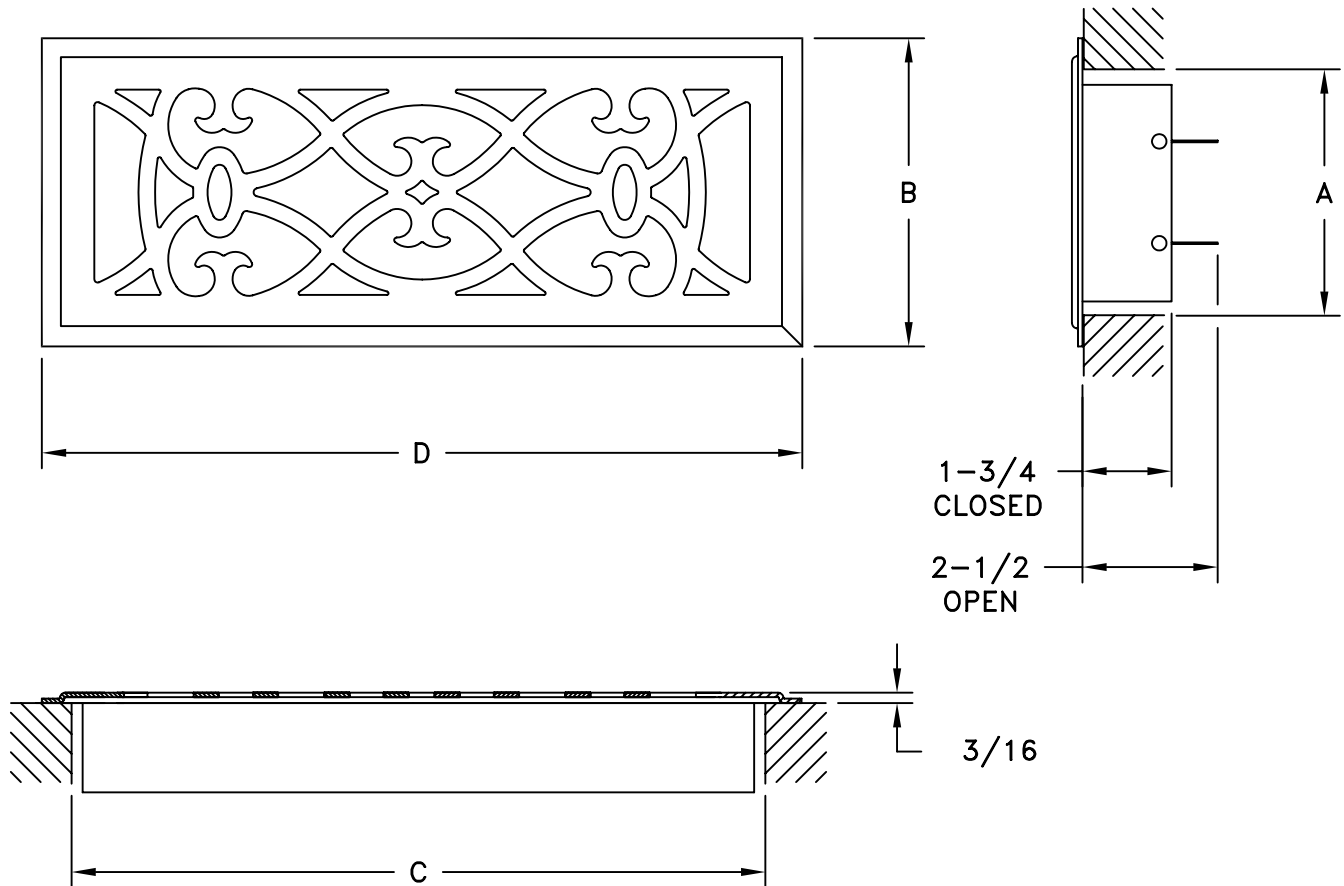


DECORATIVE SERIES

STAMPED VICTORIAN FLOOR REGISTER

STANDARD INDUSTRY TOLERANCES APPLY. SPECIFICATIONS SUBJECT TO CHANGE WITHOUT NOTICE.



SIZE A X C	DIMENSIONS OVERALL (SEE DETAIL SKETCHES)	
	B	D
2 X 12	3-1/2	13-1/4
4 X 10	5-1/2	11-1/4
4 X 12	5-1/2	13-1/4

Stamped steel floor register with attached lever operated damper. Brass and antique brass plated finish or white and off-white powder coated finish.

PROJECT: _____

ARCHITECT: _____

ENGINEER: _____

CONTRACTOR: _____

LOCATION: _____



J&J REGISTER
AIR DISTRIBUTION PRODUCTS