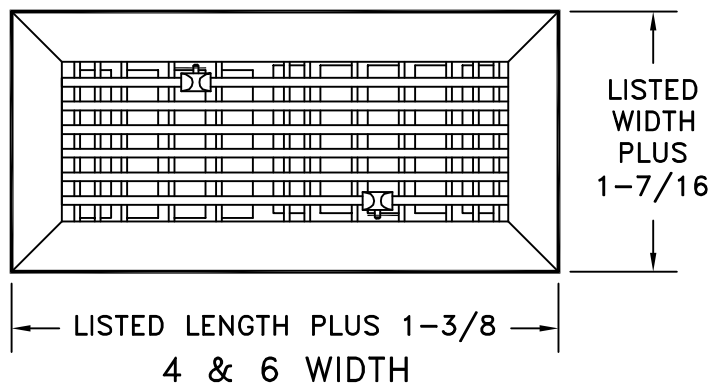
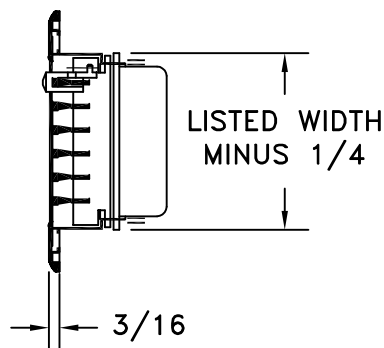
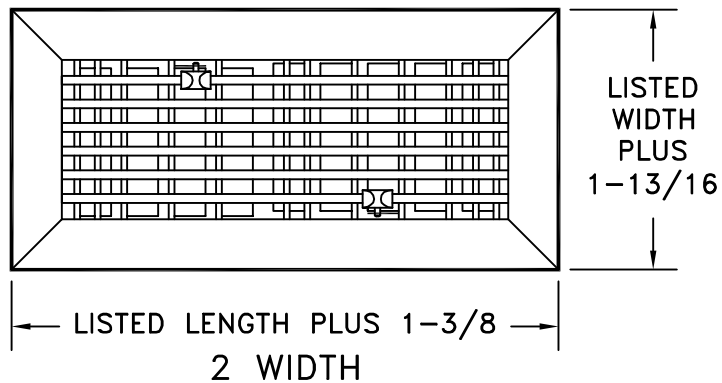
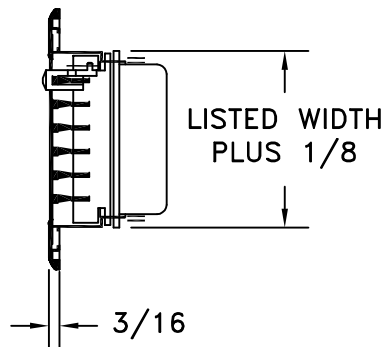


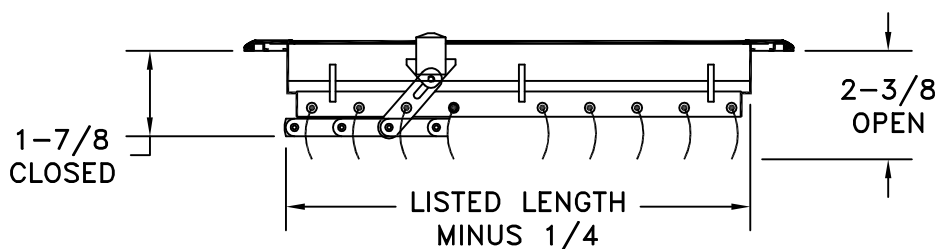
# MODEL AL833

## EXTRUDED ALUMINUM FLOOR DIFFUSER

STANDARD INDUSTRY TOLERANCES APPLY. SPECIFICATIONS SUBJECT TO CHANGE WITHOUT NOTICE.



LISTED SIZE
L X W
10 X 2
12 X 2
14 X 2
10 X 4
12 X 4
14 X 4
10 X 6
12 X 6
14 X 6



The model AL833 is all extruded aluminum construction. It has heavy cross bracing reinforcement for floor use and multi-shutter valves for adjustable air patterns. Nylon slide valve operators provide smooth operation. Satin anodized finish.

PROJECT: \_\_\_\_\_

ARCHITECT: \_\_\_\_\_

ENGINEER: \_\_\_\_\_

CONTRACTOR: \_\_\_\_\_

LOCATION: \_\_\_\_\_

