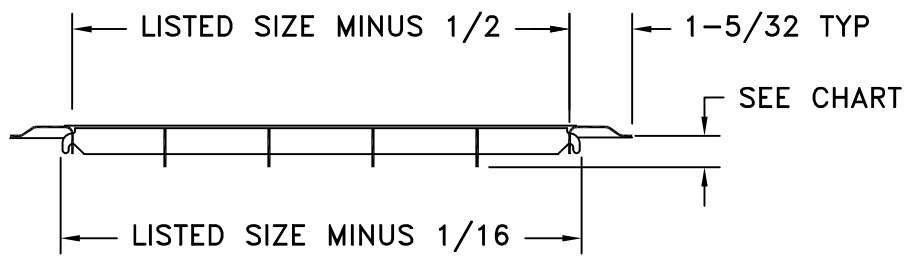
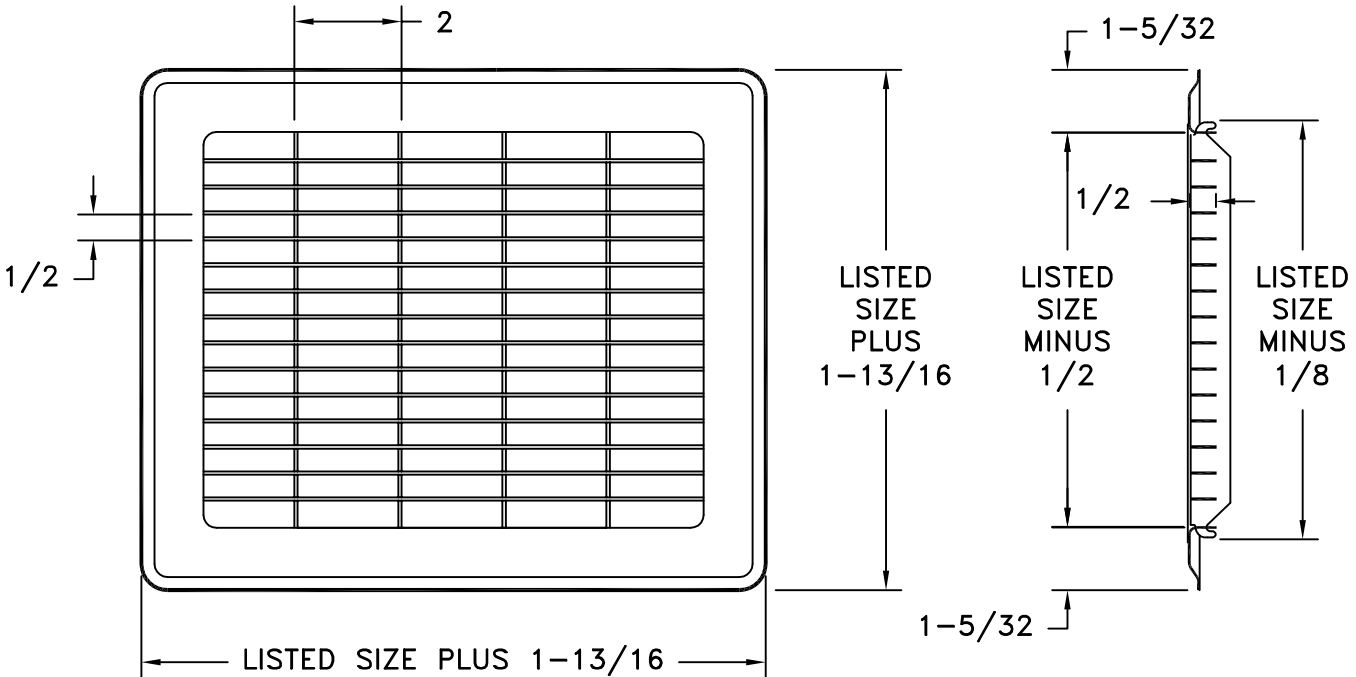


MODEL 825

RETURN FLOOR GRILLE

STANDARD INDUSTRY TOLERANCES APPLY. SPECIFICATIONS SUBJECT TO CHANGE WITHOUT NOTICE.



SIZE WIDTH	SIZE LENGTH	MAXIMUM DEPTH
4 THRU 14	6 THRU 30	$21/32$
14 THRU 14	32 THRU 36	$25/32$
16 THRU 18	16 THRU 36	
20 THRU 30	20 THRU 36	$1-13/32$

Model Series 825 (Steel)

The Model 825 is a bar return with heavy gauge interlocking bars on $1/2"$ and $2"$ centers. Steel construction only. Standard finish is brown.

PROJECT: _____
 ARCHITECT: _____
 ENGINEER: _____
 CONTRACTOR: _____
 LOCATION: _____

