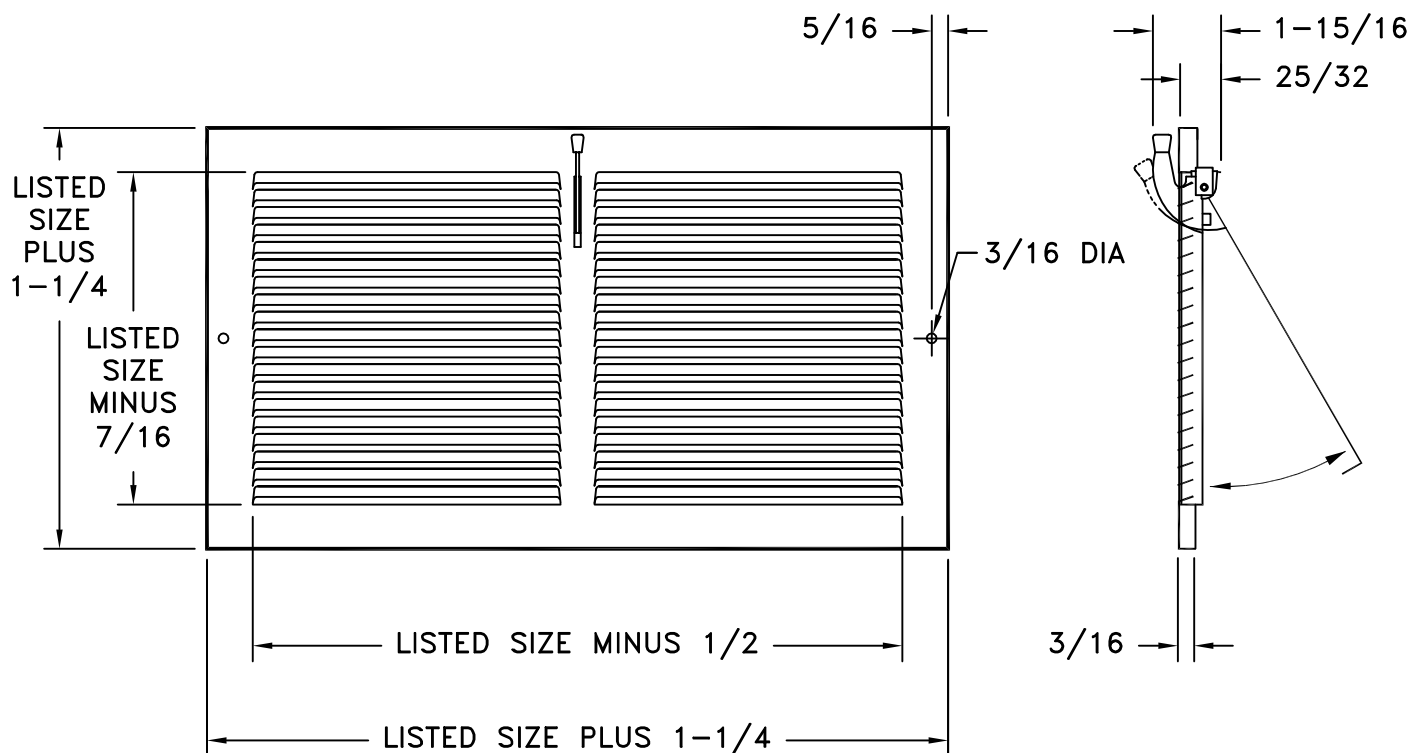


MODEL 653

SIDEWALL REGISTER WITH 1/3 INCH FIN SPACING

STANDARD INDUSTRY TOLERANCES APPLY. SPECIFICATIONS SUBJECT TO CHANGE WITHOUT NOTICE.



Model 653 is a stamped straight blade ceiling or sidewall register with mounting holes. Constructed of steel with 1/3 inch fin spacing set at 20 degrees, it features a plate style damper. Standard finish is white.

PROJECT: _____

ARCHITECT: _____

ENGINEER: _____

CONTRACTOR: _____

LOCATION: _____

