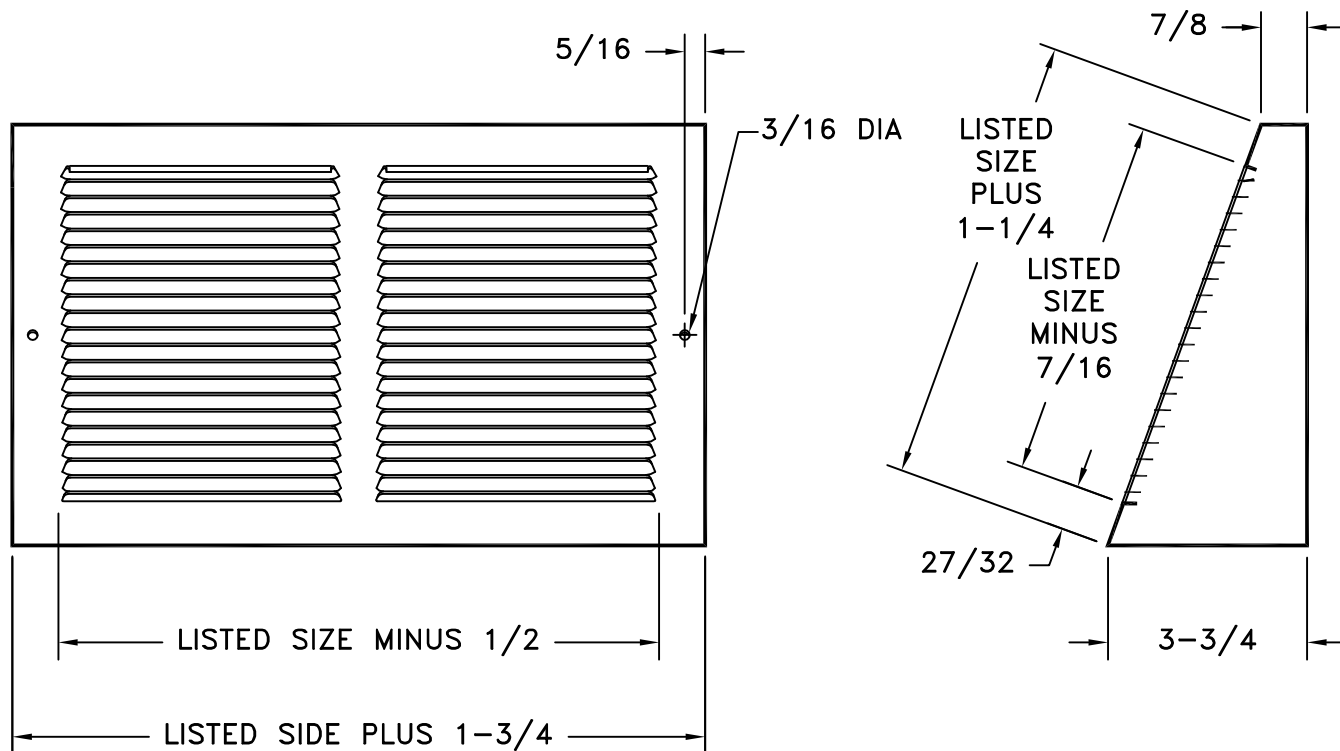


MODEL 652

BASEBOARD RETURN GRILLE WITH 1/3 INCH FIN SPACING

STANDARD INDUSTRY TOLERANCES APPLY. SPECIFICATIONS SUBJECT TO CHANGE WITHOUT NOTICE.



Model 652 is a stamped straight blade baseboard return grille with mounting holes. It is constructed of steel with 1/3 inch fin spacing set at 20 degrees. Standard finish is white.

PROJECT: _____
 ARCHITECT: _____
 ENGINEER: _____
 CONTRACTOR: _____
 LOCATION: _____

