

SUBMITTAL DRAWING

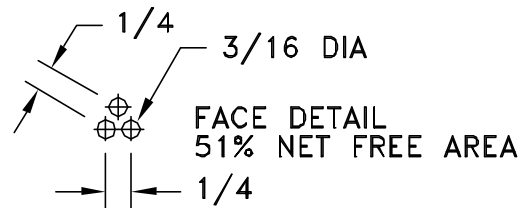
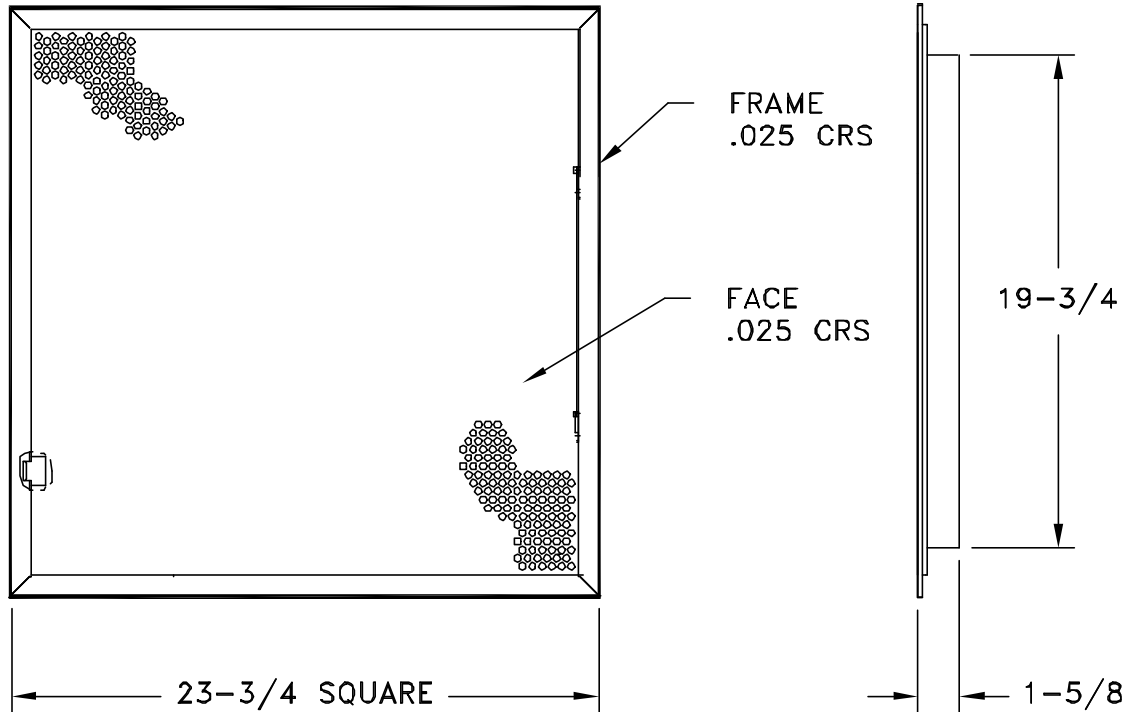
JOB NAME: _____
 LOCATION: _____
 ARCHITECT: _____
 ENGINEER: _____
 CONTRACTOR: _____

**T-BAR FILTER GRILLE
 (326PTW20X20)**

DATE: 2/20/02

SUBMITTED BY: _____

DRAWING #: A7-4



- FLUSH, REMOVABLE FACE WITH HIDDEN LATCHES AND HINGES CAN BE INSTALLED IN ANY DIRECTION
- USES NOMINAL 1 x 20 x 20 INCH STANDARD FILTERS (BY OTHERS)
- FINISH: WHITE (W) ENAMEL