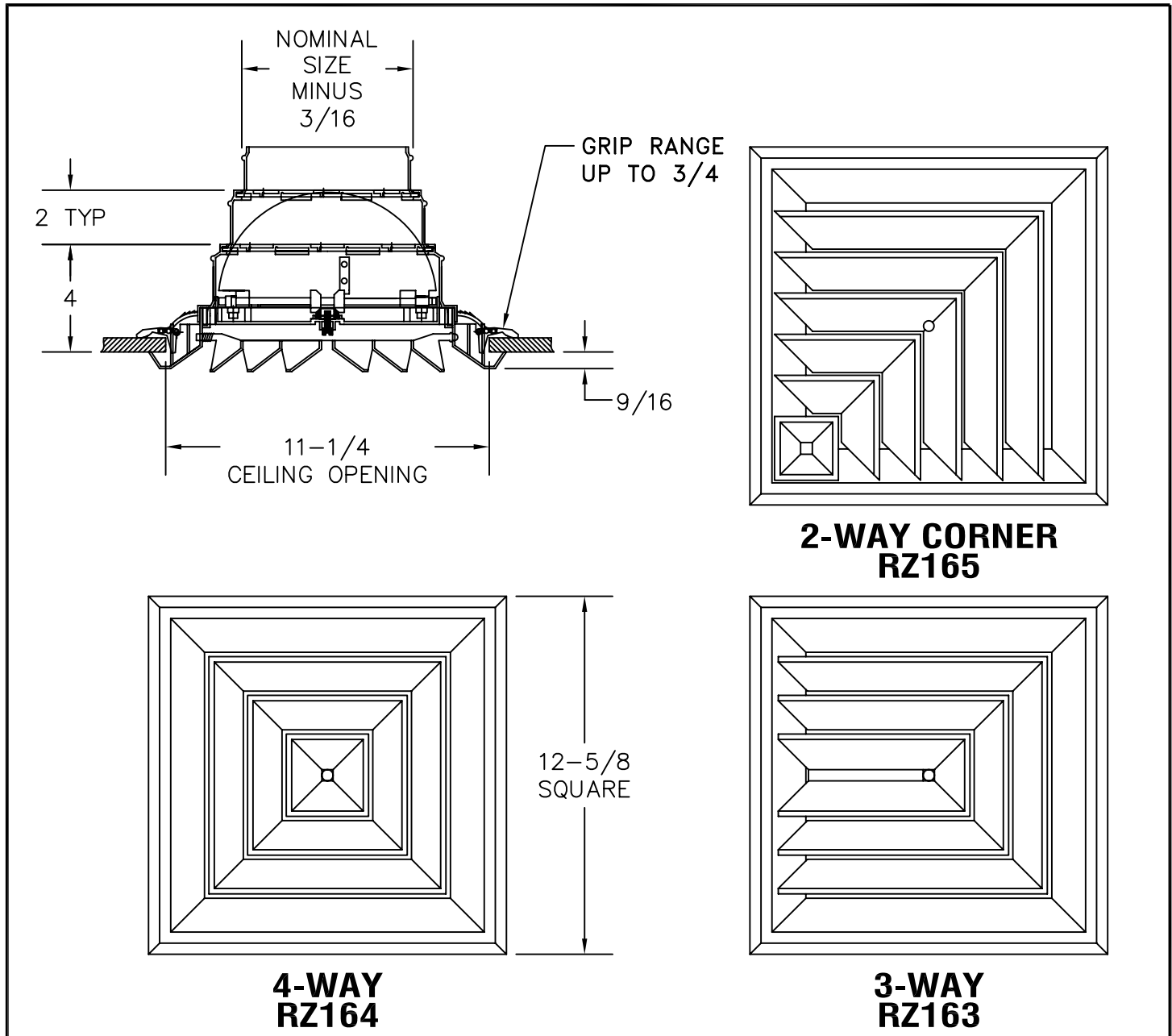


# SERIES RZ160

## PLASTIC CEILING DIFFUSER

STANDARD INDUSTRY TOLERANCES APPLY. SPECIFICATIONS SUBJECT TO CHANGE WITHOUT NOTICE.



The J&J Model 160 ceiling diffusers are offered in 4-way, 3-way and 2-way corner blow options with faces that can be removed for cleaning or maintenance. These diffusers come with removable (and re-attachable) collars to accommodate 6, 7 or 8 inch flex duct and include a tie strap to fasten the flex duct to the diffuser. All three collar options have a pronounced bead in four positions to assist in securing the flex duct. Four cam locks with ratchet tabs allow for quick secure installation without the need for a screwdriver. The integral damper can be adjusted by applying light pressure with a Phillips or Flathead screwdriver and will lock in position when not being adjusted.

PROJECT: \_\_\_\_\_  
 ARCHITECT: \_\_\_\_\_  
 ENGINEER: \_\_\_\_\_  
 CONTRACTOR: \_\_\_\_\_  
 LOCATION: \_\_\_\_\_



**J&J REGISTER**  
 AIR DISTRIBUTION PRODUCTS