

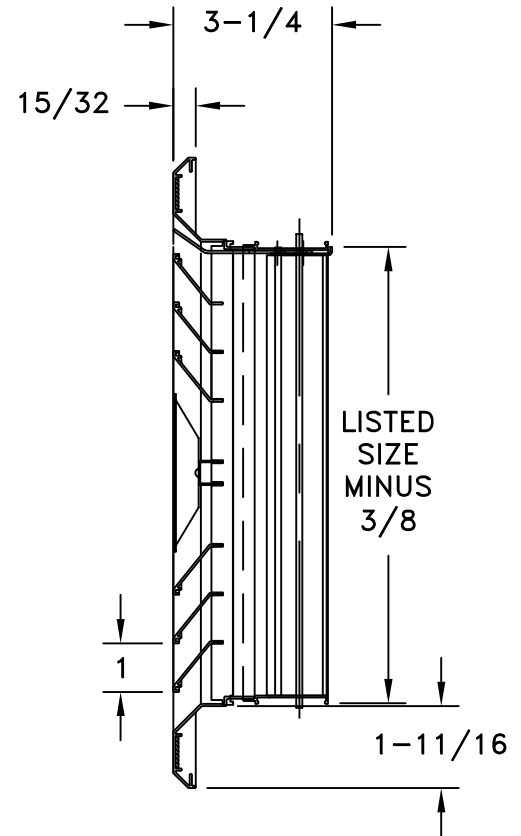
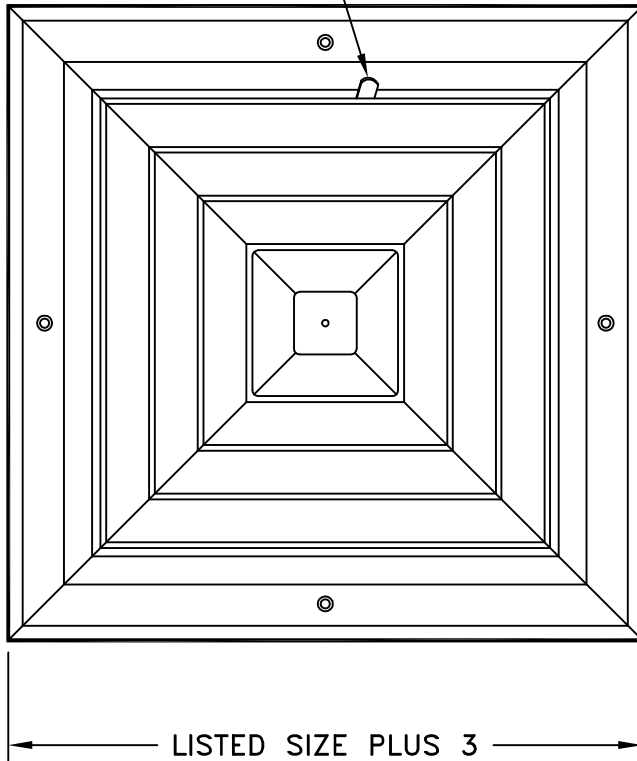
SERIES AL 160 OBD

ALUMINUM SQUARE DIFFUSER W/OBD

STANDARD INDUSTRY TOLERANCES APPLY. SPECIFICATIONS SUBJECT TO CHANGE WITHOUT NOTICE.

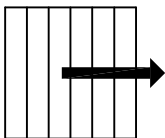
4 WAY CORE SHOWN

AIR VOLUME CONTROL LEVER

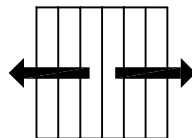


FLOW PATTERNS

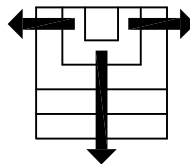
1 WAY
MODEL AL 161 OBD



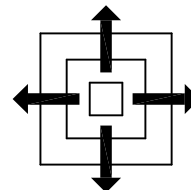
2 WAY
MODEL AL 162 OBD



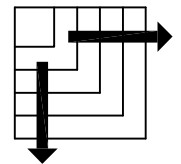
3 WAY
MODEL AL 163 OBD



4 WAY
MODEL AL 164 OBD



2 WAY
CORNER
MODEL AL 165 OBD



Series AL 160 OBD is available in 1-2-3 or 4 way air diffusion patterns, including a two-way Corner Blow, Model AL 165 OBD. These models face mount for easy installation with cores flush with margin. Series AL 160 OBD is designed for ceiling installations and includes an opposed blade damper. Extruded aluminum construction. Standard finish is white.

PROJECT: _____
 ARCHITECT: _____
 ENGINEER: _____
 CONTRACTOR: _____
 LOCATION: _____

