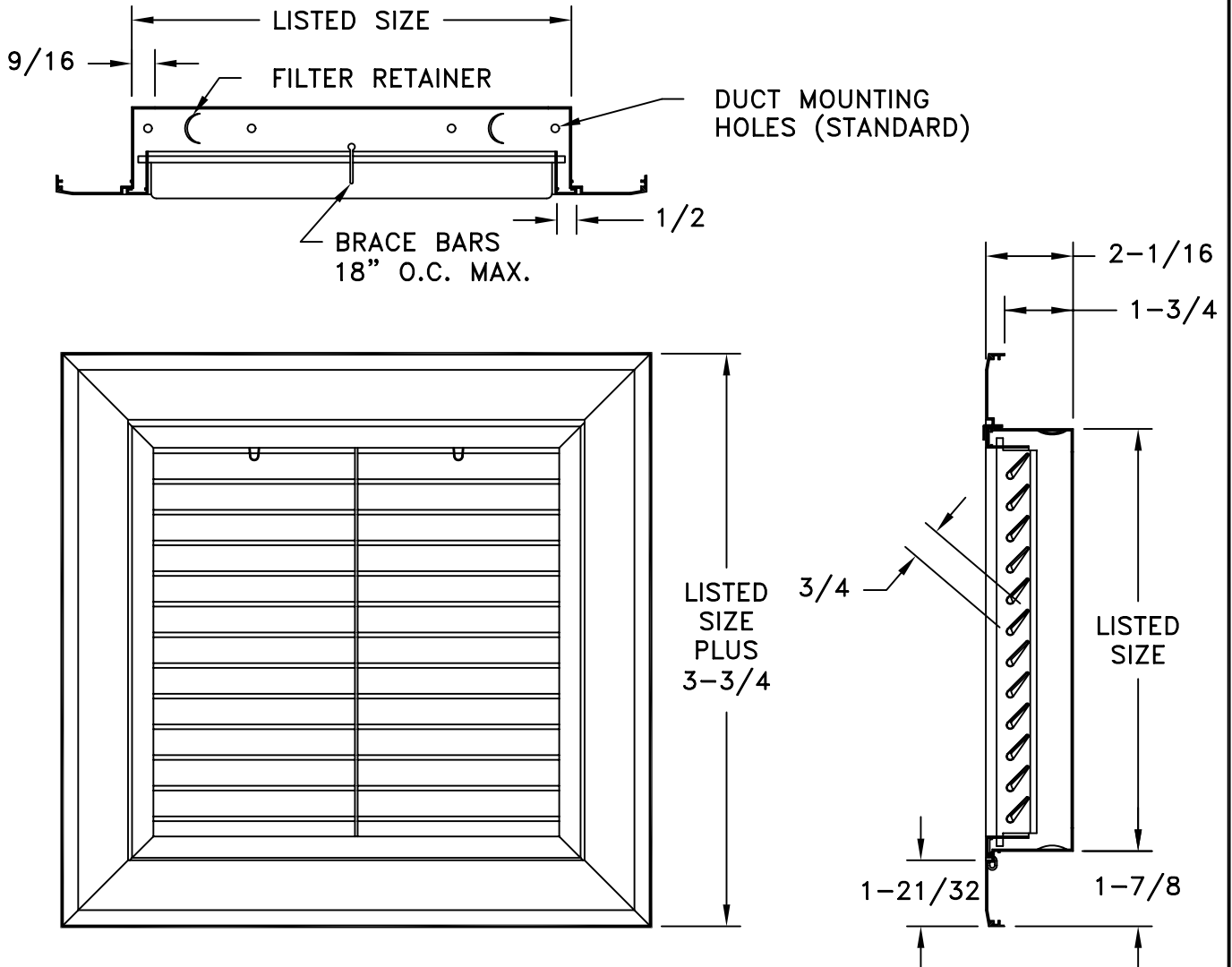


SERIES ALH45TFF

EXTRUDED ALUMINUM T-BAR FILTER GRILLE

STANDARD INDUSTRY TOLERANCES APPLY. SPECIFICATIONS SUBJECT TO CHANGE WITHOUT NOTICE.



LISTED SIZE	T-BAR	OVERALL
20 X 20	24 X 24	$23-3/4$ X $23-3/4$
44 X 20	48 X 24	$47-3/4$ X $23-3/4$

Model ALH45TFF with fixed horizontal face bars set at 45° is made of extruded aluminum construction. Listed T-Bar sizes shown in chart. White (WHT) or clear anodized (CLR) finishes are available.

PROJECT: _____

ARCHITECT: _____

ENGINEER: _____

CONTRACTOR: _____

LOCATION: _____



J&J REGISTER
AIR DISTRIBUTION PRODUCTS