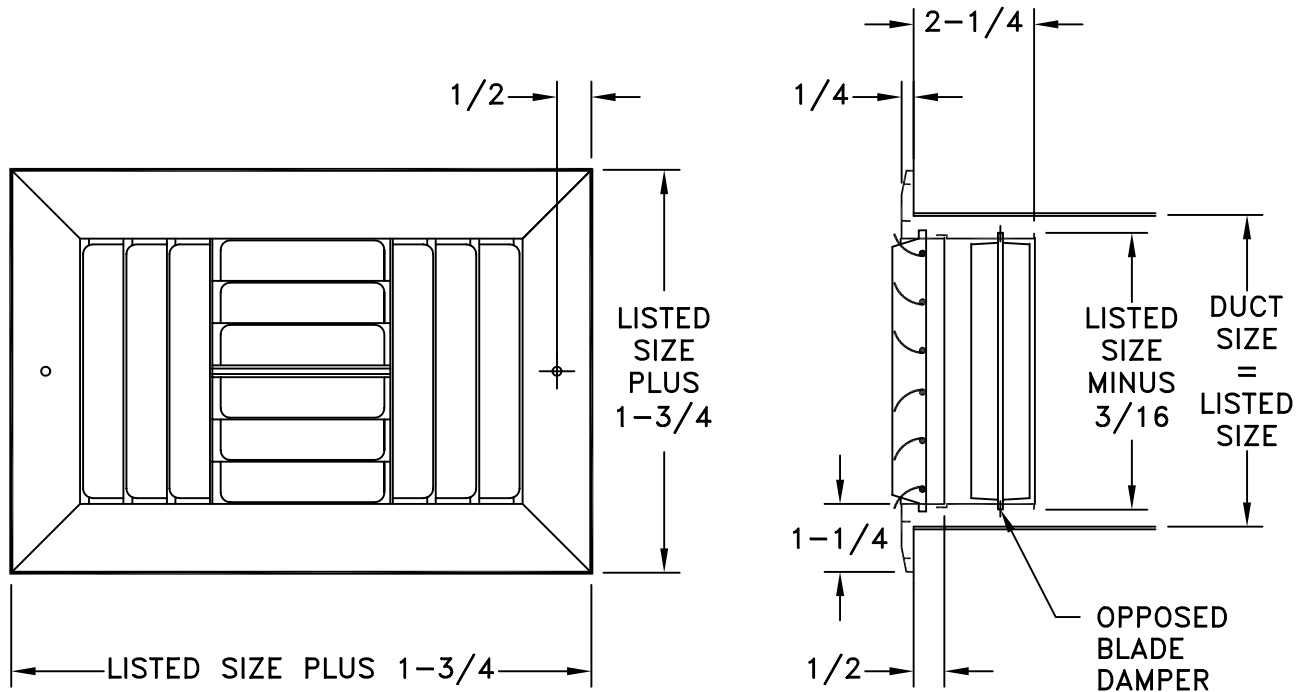


SERIES ALC1OBD, ALC2OBD, ALC3OBD, ALC4OBD

CURVED BLADE EXTRUDED ALUMINUM REGISTERS

STANDARD INDUSTRY TOLERANCES APPLY. SPECIFICATIONS SUBJECT TO CHANGE WITHOUT NOTICE.



ALC4OBD 4-WAY DEFLECTION

ALC1OBD

ALC3OBD

ALC2OBD

ALC4OBD

These extruded aluminum adjustable curved blade registers are available in 1-, 2-, 3-, and 4-way deflections. This series has the opposed blade damper. White (WHT) or clear anodized (CLR) finishes are available.

PROJECT: _____
 ARCHITECT: _____
 ENGINEER: _____
 CONTRACTOR: _____
 LOCATION: _____



J&J REGISTER
AIR DISTRIBUTION PRODUCTS