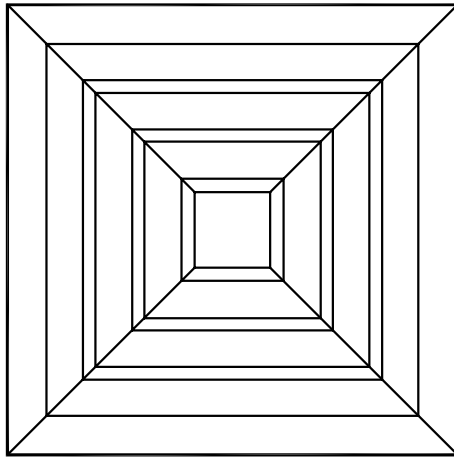


# SERIES ALADJ1400

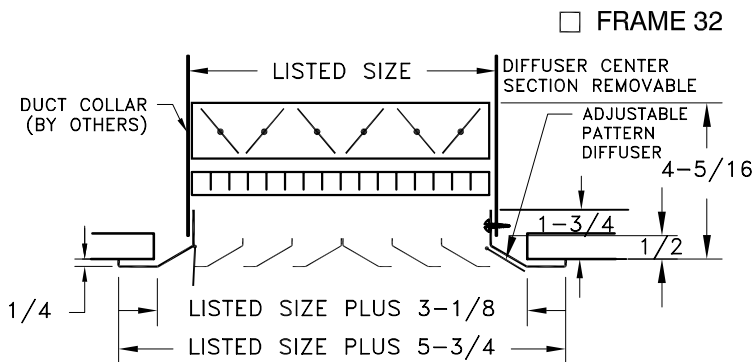
## ALUMINUM LOUVER-FACE DIFFUSER

### with PATTERN CONTROLLERS

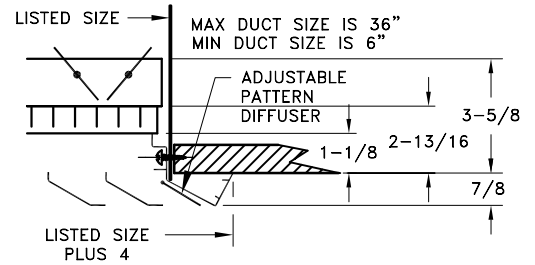
STANDARD INDUSTRY TOLERANCES APPLY. SPECIFICATIONS SUBJECT TO CHANGE WITHOUT NOTICE.



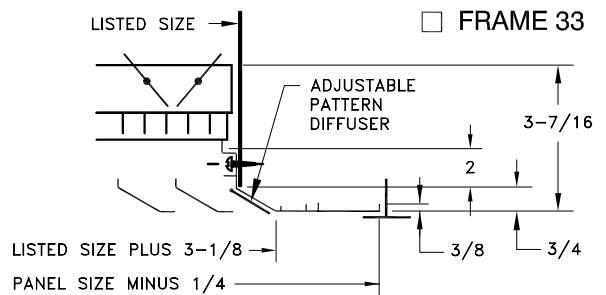
1-WAY		
<input type="checkbox"/> 1	<input type="checkbox"/> 1S	<input type="checkbox"/> 1L
2-WAY		
<input type="checkbox"/> 2	<input type="checkbox"/> 2S	<input type="checkbox"/> 2L
<input type="checkbox"/> 2D	<input type="checkbox"/> 2DLL	<input type="checkbox"/> 2DLR
3-WAY		
<input type="checkbox"/> 3	<input type="checkbox"/> 3S	<input type="checkbox"/> 3L
4-WAY		
<input type="checkbox"/> 4A	<input type="checkbox"/> 4B	



FRAME 31



FRAME 33



**DETAILS**

1. Frame 32 shown. See frame style detail for frame dimensions.
2. ALADJ1400 Series - Snap-in core - All aluminum construction.
3. Standard finish is White
4. Sizes are available in 3" increments.
5. Dimensions are in inches.

**ACCESSORIES**

- Optional Aluminum Opposed Blade Damper - Model ALOBD-14 (optional on ALADJ1400 series only).
- Aluminum Straightening Grid - Model ALASG-14

PROJECT: \_\_\_\_\_

ARCHITECT: \_\_\_\_\_

ENGINEER: \_\_\_\_\_

CONTRACTOR: \_\_\_\_\_

LOCATION: \_\_\_\_\_



**J&J REGISTER**  
AIR DISTRIBUTION PRODUCTS