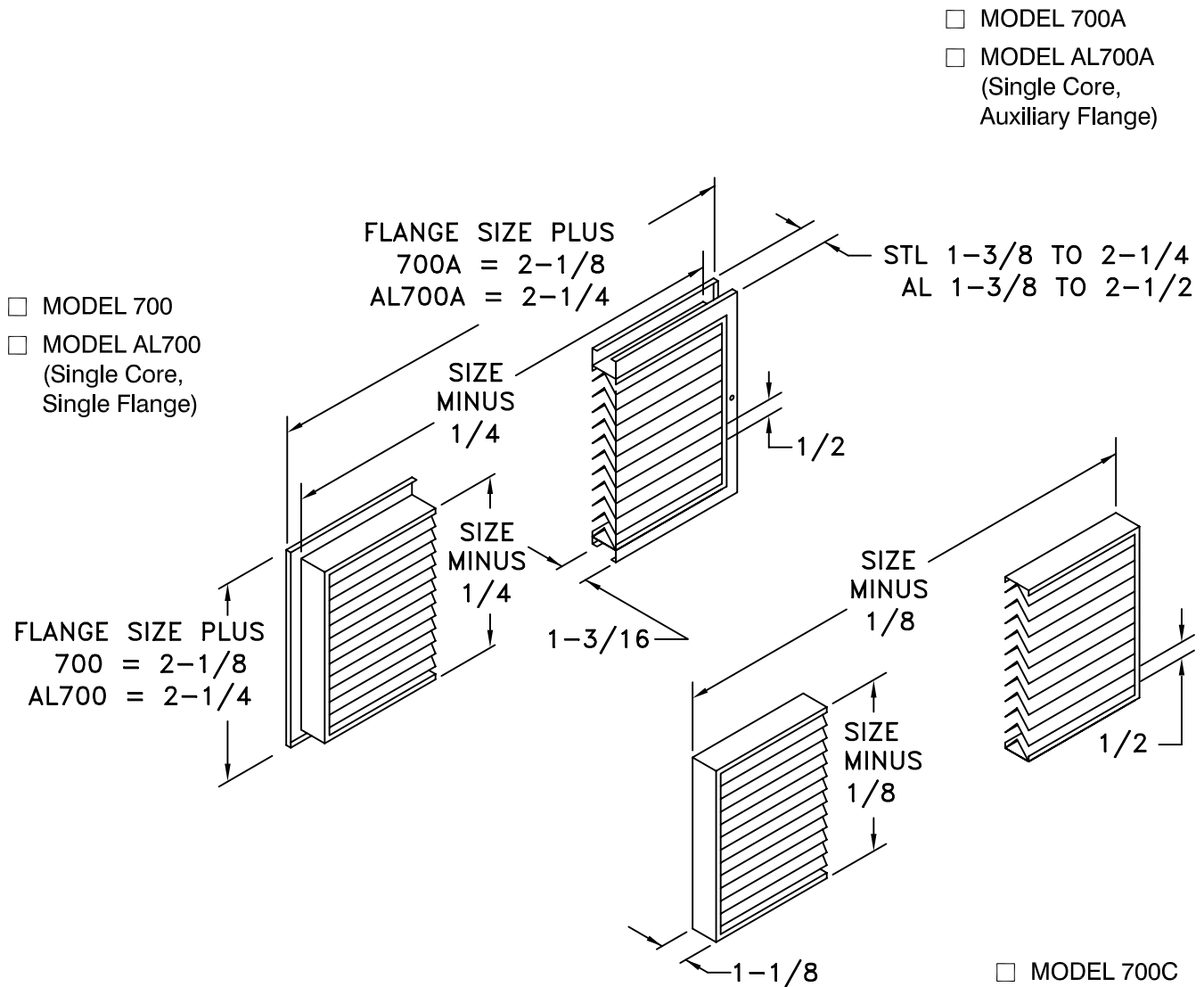


# SERIES 700

## DOOR GRILLE

STANDARD INDUSTRY TOLERANCES APPLY. SPECIFICATIONS SUBJECT TO CHANGE WITHOUT NOTICE.



The Series 700 Non-Vision Door Grilles are designed for installation in doors walls or partitions where constant passage of air is desired. Fins are spaced on 1/2" centers. The Series 700 comes in three styles. Model 700A includes core, frame and auxiliary flange that adjusts to fit any thickness from 1-3/8" to 2-1/2. Model 700C includes a core in a channel frame. Steel construction. Standard finish is white.

PROJECT: \_\_\_\_\_

ARCHITECT: \_\_\_\_\_

ENGINEER: \_\_\_\_\_

CONTRACTOR: \_\_\_\_\_

LOCATION: \_\_\_\_\_



**J&J REGISTER**  
AIR DISTRIBUTION PRODUCTS