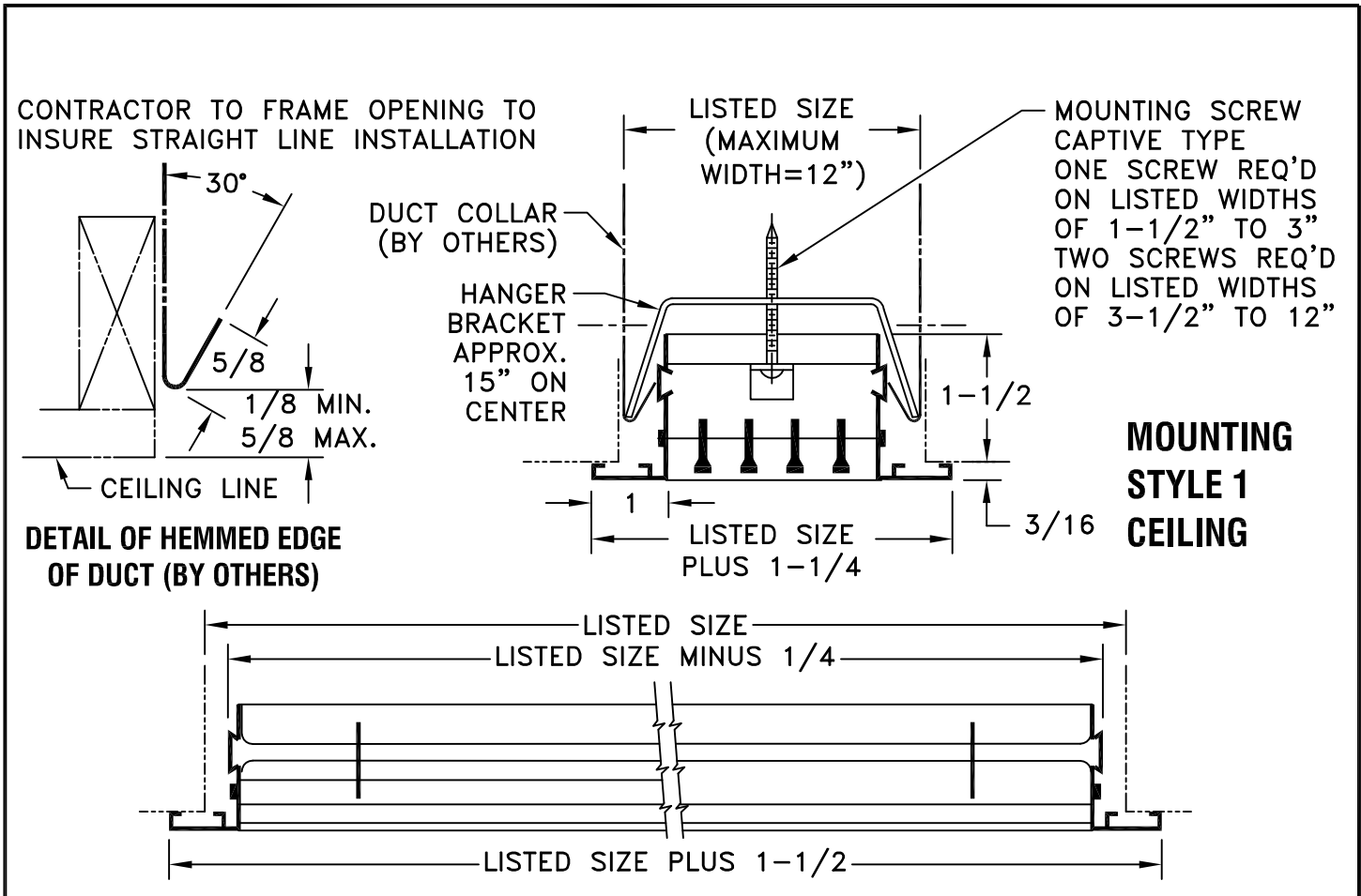


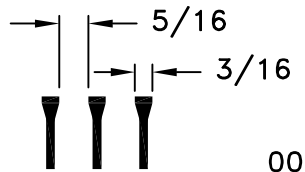
SERIES AL2500
 LINEAR DIFFUSER

MOUNTING STYLE 1
CONCEALED HANGER BRACKET

STANDARD INDUSTRY TOLERANCES APPLY. SPECIFICATIONS SUBJECT TO CHANGE WITHOUT NOTICE.



FACE BARS - 1/2 INCH CENTERS



THIS BAR STYLE ONLY WHEN USING MOUNTING STYLE 1.

Series AL2500 linear diffusers are designed for use in ceiling, sill or floor where a continuous linear line effect is required. Series AL2500 has grille bars on 1/2" centers set at 0°, 15° or 30° deflections. Pencil proof spacing available. Maximum one-piece construction is six (6) feet. Longer sections butted together. Width dimension in 1/2" increments only. Yoke hanger available for sizes 1-1/2 through 12 inch only. For damper dimensions see submittal drawing 106.5. Extruded aluminum construction. Standard finish is white (WHT) or Satin Anodized (CLR).

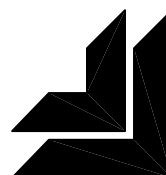
PROJECT: _____

ARCHITECT: _____

ENGINEER: _____

CONTRACTOR: _____

LOCATION: _____



J&J REGISTER
 AIR DISTRIBUTION PRODUCTS