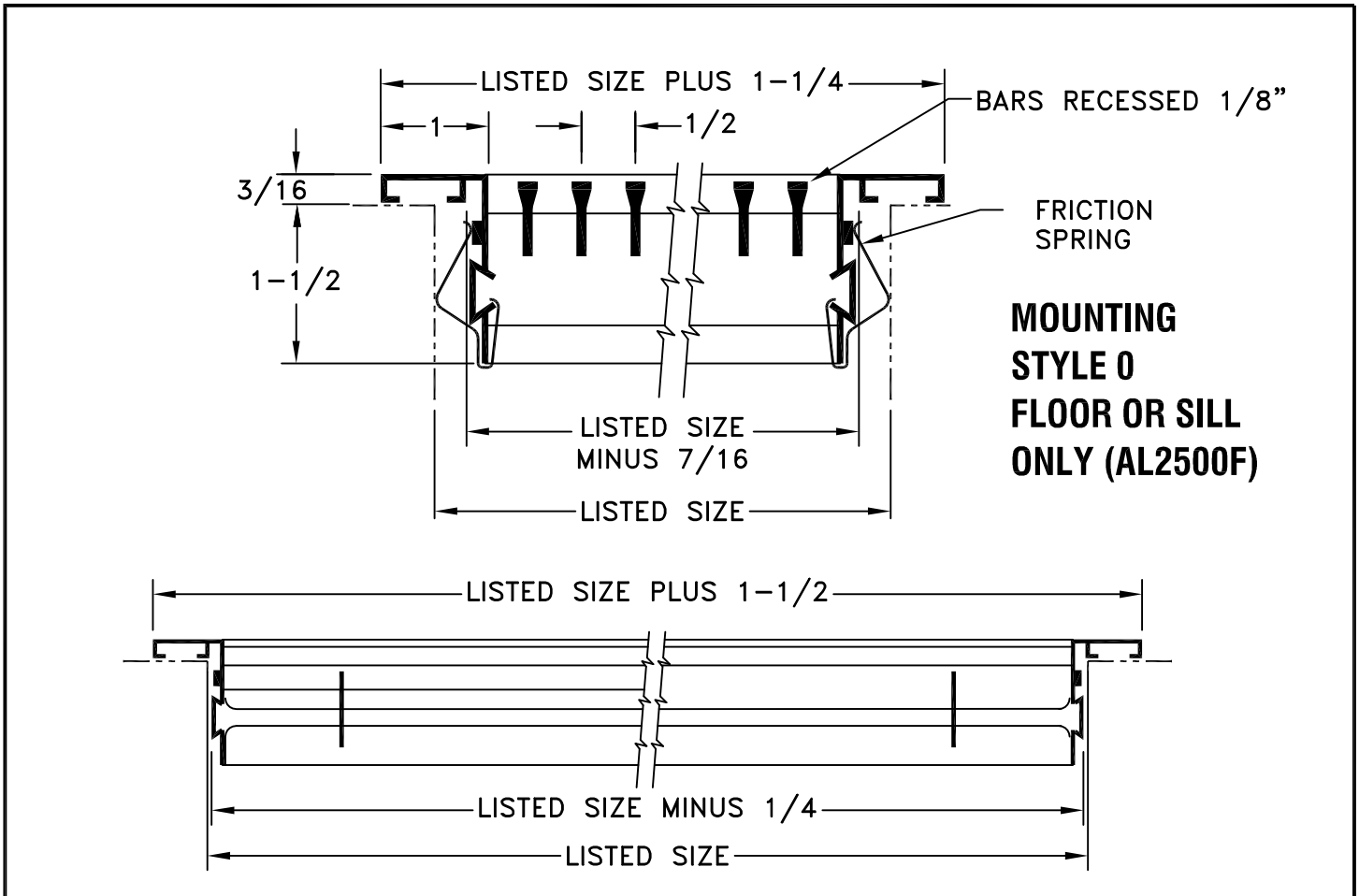
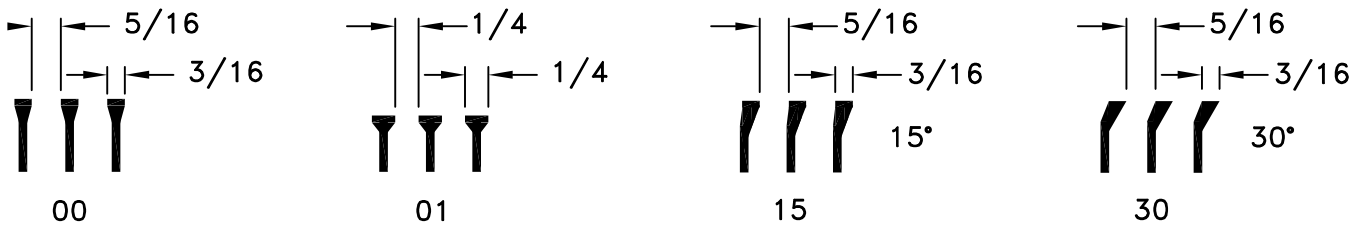


SERIES AL2500
 LINEAR DIFFUSER

STANDARD INDUSTRY TOLERANCES APPLY. SPECIFICATIONS SUBJECT TO CHANGE WITHOUT NOTICE.



FACE BARS - 1/2 INCH CENTERS



Series AL2500 linear diffusers are designed for use in ceiling, sill or floor where a continuous linear line effect is required. Series AL2500 has grille bars on 1/2" centers set at 0°, 15° or or 30° deflections. Pencil proof spacing available. Maximum one-piece construction is six (6) feet. Longer sections butted together. Width dimension in 1/2" increments only. For damper dimensions see submittal drawing 106.5. Extruded aluminum construction. Standard finish is white (WHT) or Satin Anodized (CLR).

PROJECT: _____
 ARCHITECT: _____
 ENGINEER: _____
 CONTRACTOR: _____
 LOCATION: _____



J&J REGISTER
 AIR DISTRIBUTION PRODUCTS