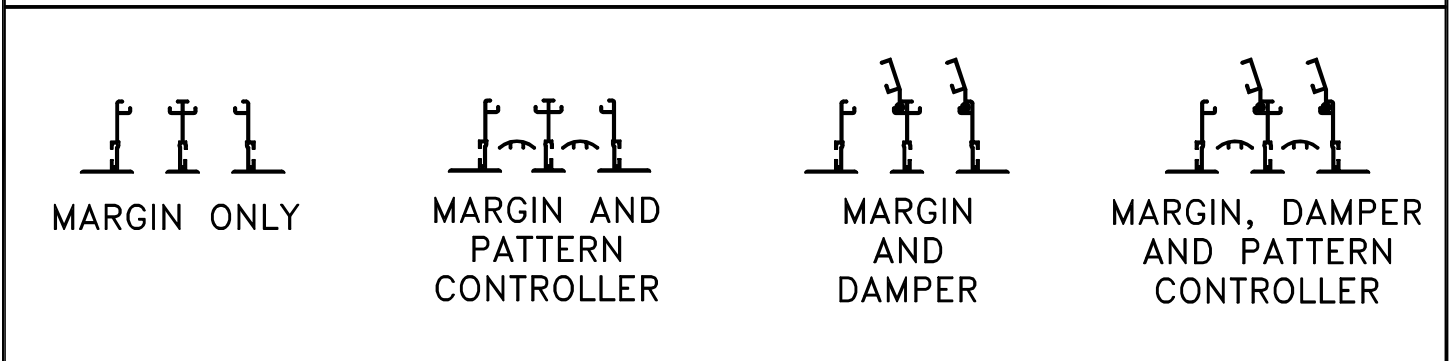
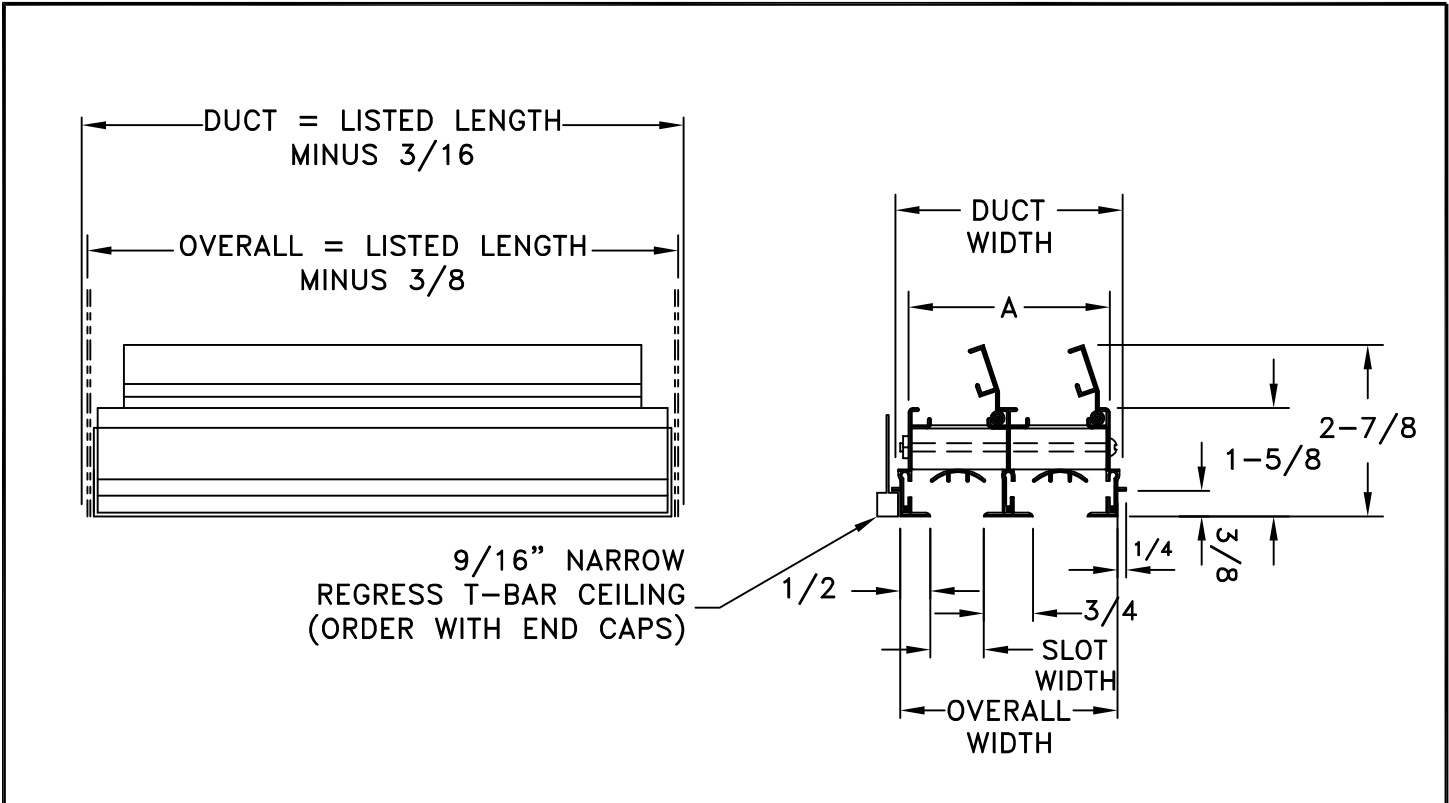


**SERIES AL2000**  
 SLOT DIFFUSER

MARGIN L0  
 NARROW REGRESS T-BAR

STANDARD INDUSTRY TOLERANCES APPLY. SPECIFICATIONS SUBJECT TO CHANGE WITHOUT NOTICE.



SLOT WIDTH	TYPE	A	DUCT WIDTH	OVERALL WIDTH
1/2	50	1-1/4 X NO. OF SLOTS	A + 3/8	A + 1/4
3/4	75	1-1/2 X NO. OF SLOTS	A + 3/8	A + 1/4
1	10	1-3/4 X NO. OF SLOTS	A + 3/8	A + 1/4

Series AL2000 is a Slot diffuser available in 12-72 inch lengths. Units are available in 1-10 slots with a choice of 1/2, 3/4 or 1" slot width, with or without adjustable deflector. Extruded aluminum construction with adjustable deflectors. White finish with black blades or satin anodized.

PROJECT: \_\_\_\_\_  
 ARCHITECT: \_\_\_\_\_  
 ENGINEER: \_\_\_\_\_  
 CONTRACTOR: \_\_\_\_\_  
 LOCATION: \_\_\_\_\_



**J&J REGISTER**  
 AIR DISTRIBUTION PRODUCTS