

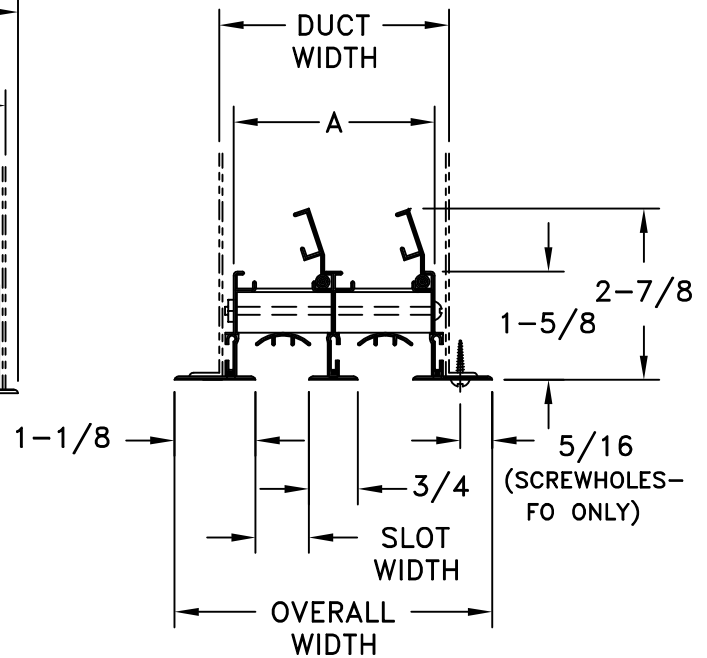
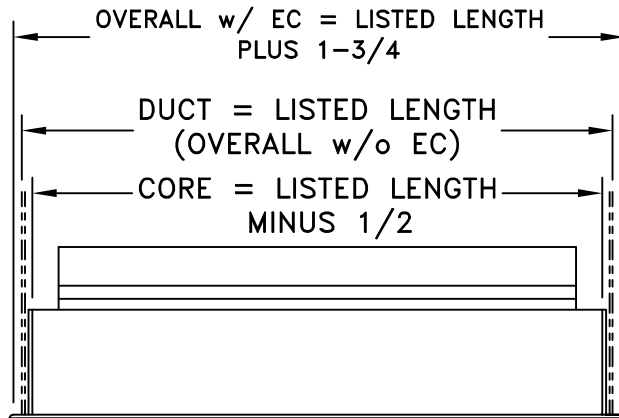
# SERIES AL2000

SLOT DIFFUSER

MARGIN E0/F0

SURFACE MOUNT W/O OR W/ SCREWHOLES

STANDARD INDUSTRY TOLERANCES APPLY. SPECIFICATIONS SUBJECT TO CHANGE WITHOUT NOTICE.



## T-BAR APPLICATIONS

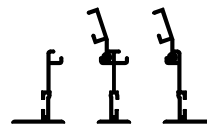
\* ORDER 22 AND 46 INCH WITH END CAPS FOR 2 AND 4 FOOT ON CENTER



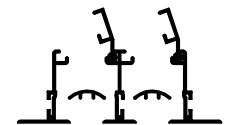
MARGIN ONLY



MARGIN AND PATTERN CONTROLLER



MARGIN AND DAMPER

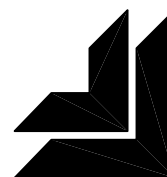


MARGIN, DAMPER AND PATTERN CONTROLLER

| SLOT WIDTH | TYPE | A                    | DUCT WIDTH | OVERALL WIDTH |
|------------|------|----------------------|------------|---------------|
| 1/2        | 50   | 1-1/4 X NO. OF SLOTS | A + 7/16   | A + 1-1/2     |
| 3/4        | 75   | 1-1/2 X NO. OF SLOTS | A + 7/16   | A + 1-1/2     |
| 1          | 10   | 1-3/4 X NO. OF SLOTS | A + 7/16   | A + 1-1/2     |

Series AL2000 is a Slot diffuser available in 12-72 inch lengths. Units are available in 1-10 slots with a choice of 1/2, 3/4 or 1" slot width, with or without adjustable deflector. Extruded aluminum construction with adjustable deflectors. White finish with black blades or satin anodized.

PROJECT: \_\_\_\_\_  
 ARCHITECT: \_\_\_\_\_  
 ENGINEER: \_\_\_\_\_  
 CONTRACTOR: \_\_\_\_\_  
 LOCATION: \_\_\_\_\_



**J&J REGISTER**  
 AIR DISTRIBUTION PRODUCTS