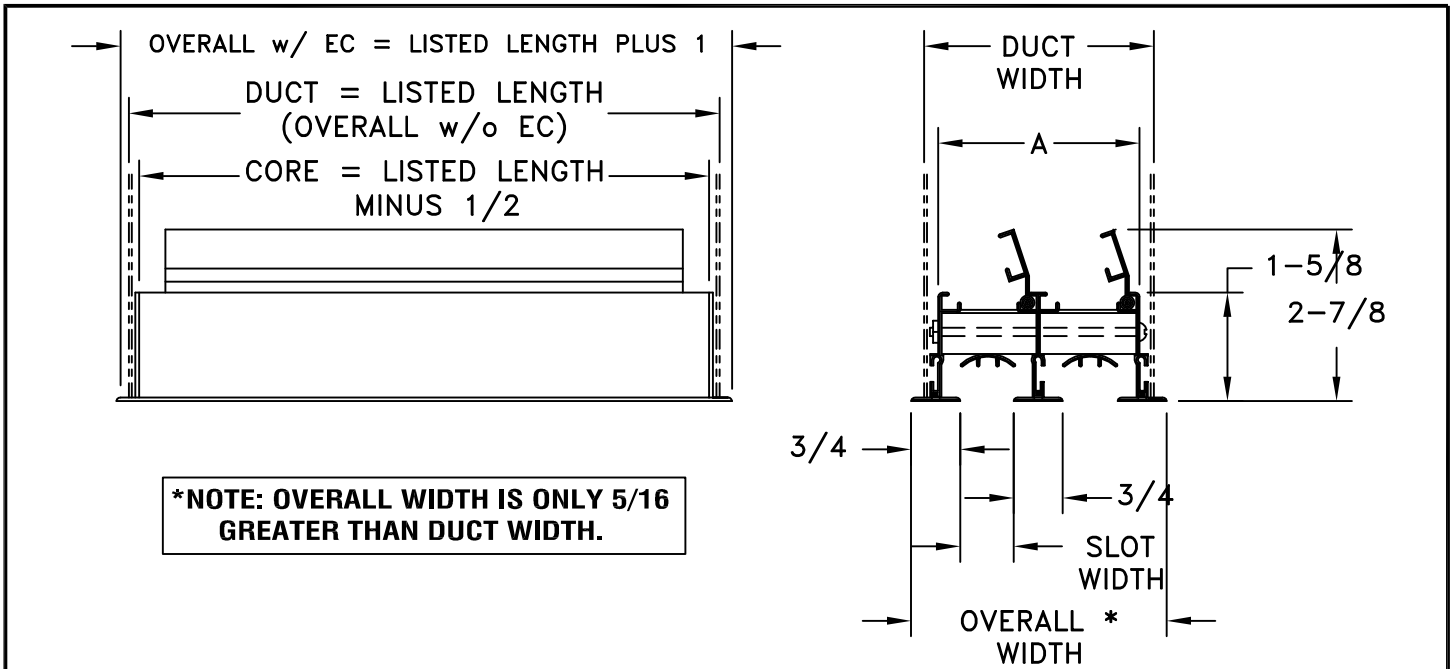


SERIES AL2000

SLOT DIFFUSER

MARGIN BO - SURFACE MOUNT

STANDARD INDUSTRY TOLERANCES APPLY. SPECIFICATIONS SUBJECT TO CHANGE WITHOUT NOTICE.



T-BAR APPLICATIONS

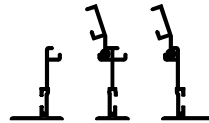
* ORDER 22-3/4 AND 46-3/4 INCH WITH END CAPS FOR 2 AND 4 FOOT ON CENTER



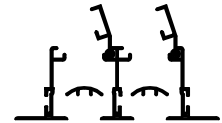
MARGIN ONLY



MARGIN AND
PATTERN
CONTROLLER



MARGIN
AND
DAMPER

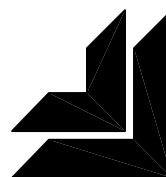


MARGIN, DAMPER
AND PATTERN
CONTROLLER

SLOT WIDTH	TYPE	A	DUCT WIDTH*	OVERALL WIDTH
1/2	50	1-1/4 X NO. OF SLOTS	A + 7/16	A + 3/4
3/4	75	1-1/2 X NO. OF SLOTS	A + 7/16	A + 3/4
1	10	1-3/4 X NO. OF SLOTS	A + 7/16	A + 3/4

Series AL2000 is a Slot diffuser available in 12-72 inch lengths. Units are available in 1-10 slots with a choice of 1/2, 3/4 or 1" slot width, with or without adjustable deflector. Extruded aluminum construction with adjustable deflectors. White finish with black blades or satin anodized.

PROJECT: _____
 ARCHITECT: _____
 ENGINEER: _____
 CONTRACTOR: _____
 LOCATION: _____



J&J REGISTER
AIR DISTRIBUTION PRODUCTS