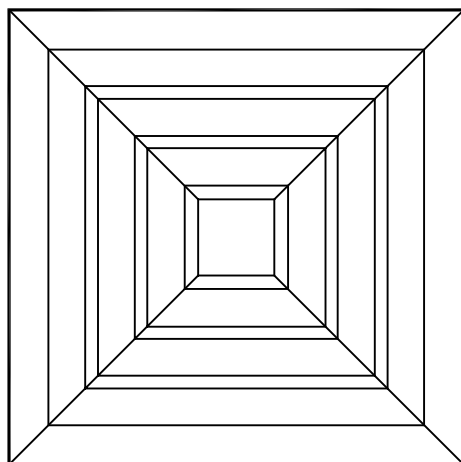


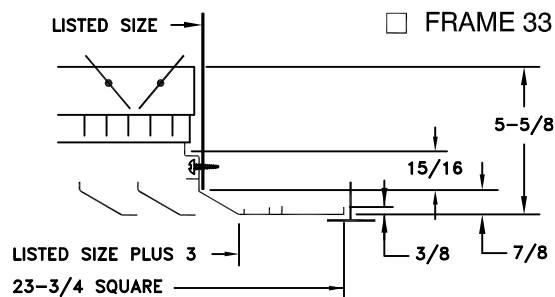
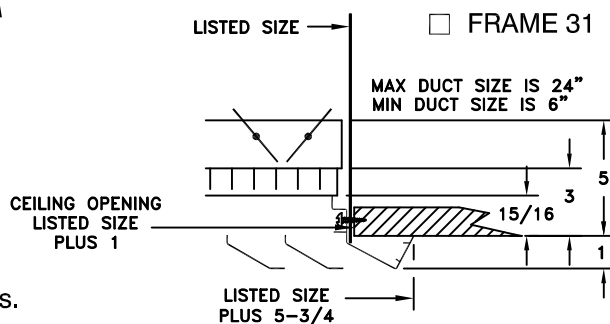
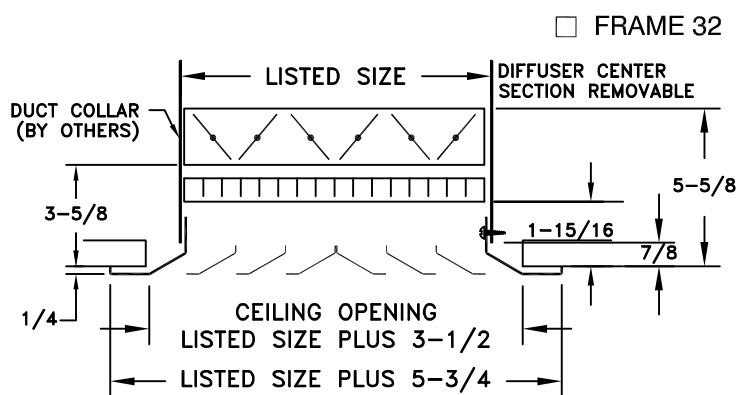
SERIES 1400

STEEL LOUVER-FACE DIFFUSER

STANDARD INDUSTRY TOLERANCES APPLY. SPECIFICATIONS SUBJECT TO CHANGE WITHOUT NOTICE.



1-WAY		
<input type="checkbox"/> 1	<input type="checkbox"/> 1S	<input type="checkbox"/> 1L
2-WAY		
<input type="checkbox"/> 2	<input type="checkbox"/> 2S	<input type="checkbox"/> 2L
<input type="checkbox"/> 2D	<input type="checkbox"/> 2DLL	<input type="checkbox"/> 2DLR
3-WAY		
<input type="checkbox"/> 3	<input type="checkbox"/> 3L	<input type="checkbox"/> 3S
4-WAY		
<input type="checkbox"/> 4A	<input type="checkbox"/> 4B	



DETAILS

1. Frame 32 shown. See frame style detail for frame dimensions.
2. 1400 Series - Snap-in core - All steel construction.
3. Standard finish is White
4. Sizes are available in 3" increments.
5. Dimensions are in inches.

ACCESSORIES

- Optional steel lever operated opposed blade damper - Model OBD14; duct mount only if ordered separately
- Optional Steel Straightening Grid - Model ASG

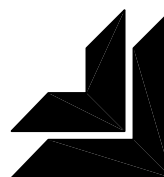
PROJECT: _____

ARCHITECT: _____

ENGINEER: _____

CONTRACTOR: _____

LOCATION: _____



J&J REGISTER
AIR DISTRIBUTION PRODUCTS