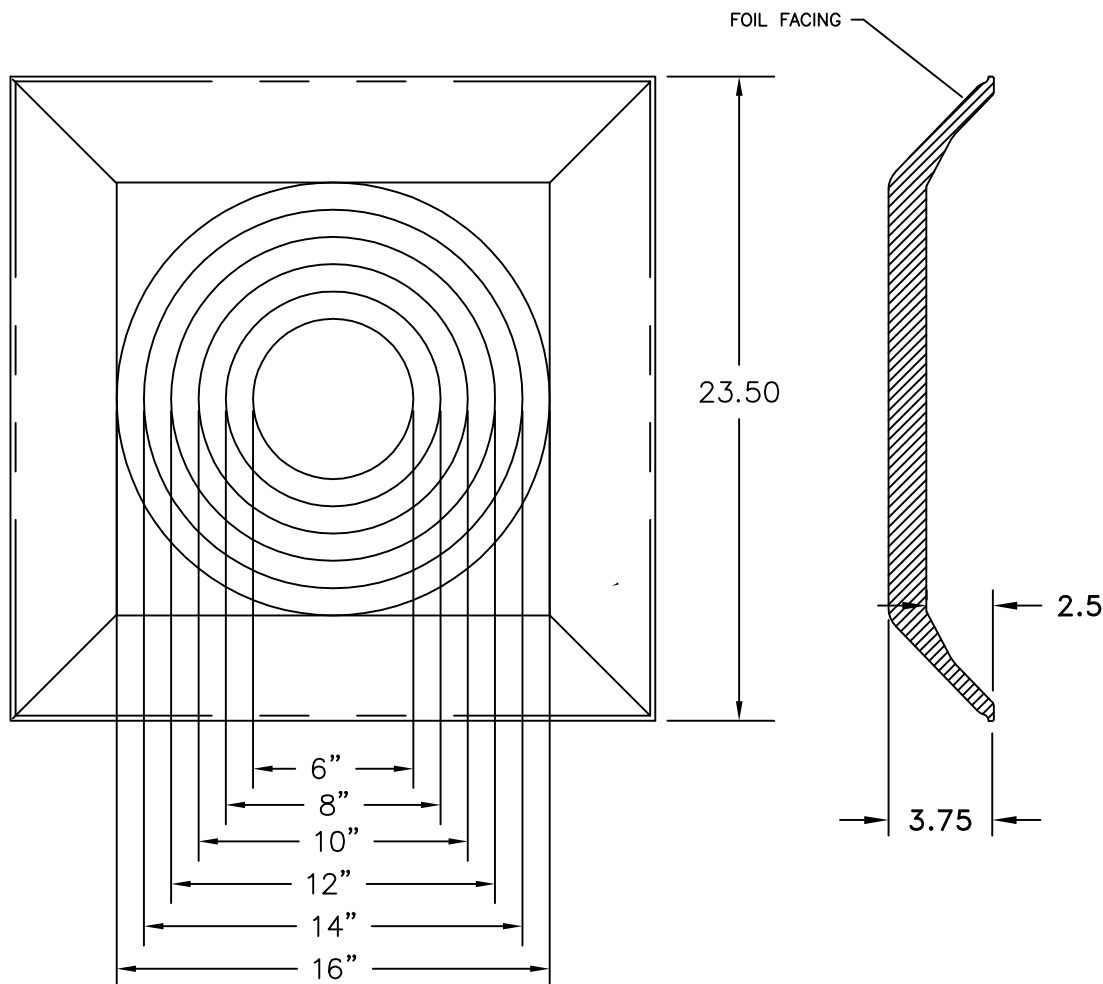


R6 Molded Back

Universal Insulation Back for T-bar Diffusers

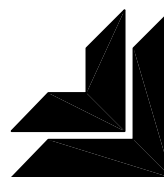
STANDARD INDUSTRY TOLERANCES APPLY. SPECIFICATIONS SUBJECT TO CHANGE WITHOUT NOTICE.



MOLDED FOIL FACE R6 FIBERGLASS
 LAYS ON BACK OF MOST STANDARD 2' x 2' T-BAR DIFFUSERS
 HAS 6"-16" SCORING, EVEN NUMBERS
 PASSES 25/50 FLAME AND SMOKE SPREAD ASTM E84 TEST
 TO BE PERMITTED INTO CEILING/PLENUM SPACES
 MOLD RESISTANT
 UL 181 EROSION AND IMPACT TEST
 LOS ANGELES CITY COMPLIANT

P/N 452536

PROJECT: _____
 ARCHITECT: _____
 ENGINEER: _____
 CONTRACTOR: _____
 LOCATION: _____



J&J REGISTER
 AIR DISTRIBUTION PRODUCTS