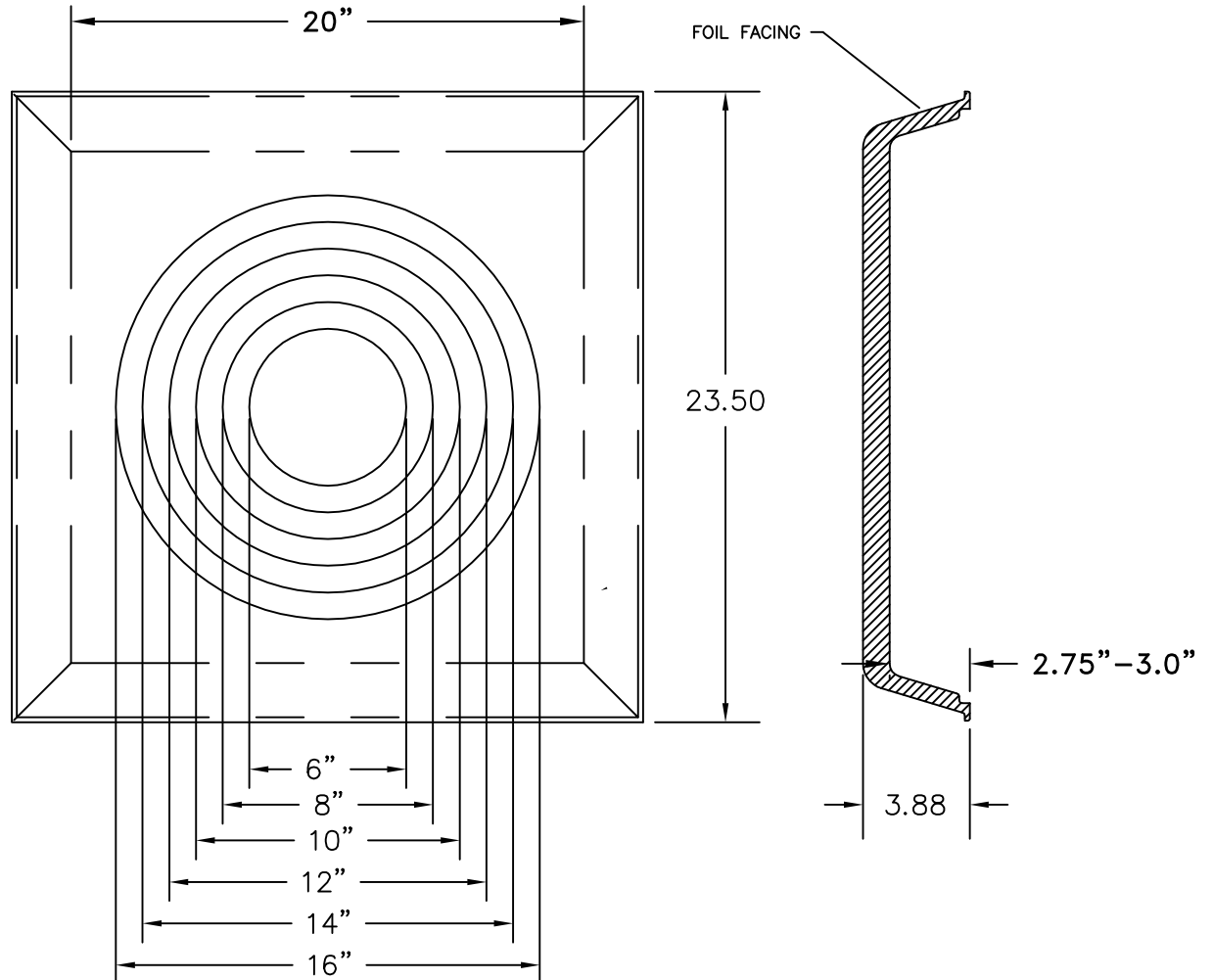


# R4.2 Molded Back

## Universal Insulation Back for T-bar Diffusers

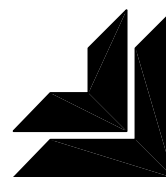
STANDARD INDUSTRY TOLERANCES APPLY. SPECIFICATIONS SUBJECT TO CHANGE WITHOUT NOTICE.



MOLDED FOIL FACE R4.2 FIBERGLASS  
 LAYS ON BACK OF MOST STANDARD 2' x 2' T-BAR DIFFUSERS  
 HAS 6"-16" SCORING, EVEN NUMBERS  
 PASSES 25/50 FLAME AND SMOKE SPREAD ASTM E84 TEST  
 TO BE PERMITTED INTO CEILING/PLENUM SPACES  
 MOLD RESISTANT  
 UL 181 EROSION AND IMPACT TEST  
 LOS ANGELES CITY COMPLIANT

P/N 452535

PROJECT: \_\_\_\_\_  
 ARCHITECT: \_\_\_\_\_  
 ENGINEER: \_\_\_\_\_  
 CONTRACTOR: \_\_\_\_\_  
 LOCATION: \_\_\_\_\_



**J&J REGISTER**  
 AIR DISTRIBUTION PRODUCTS