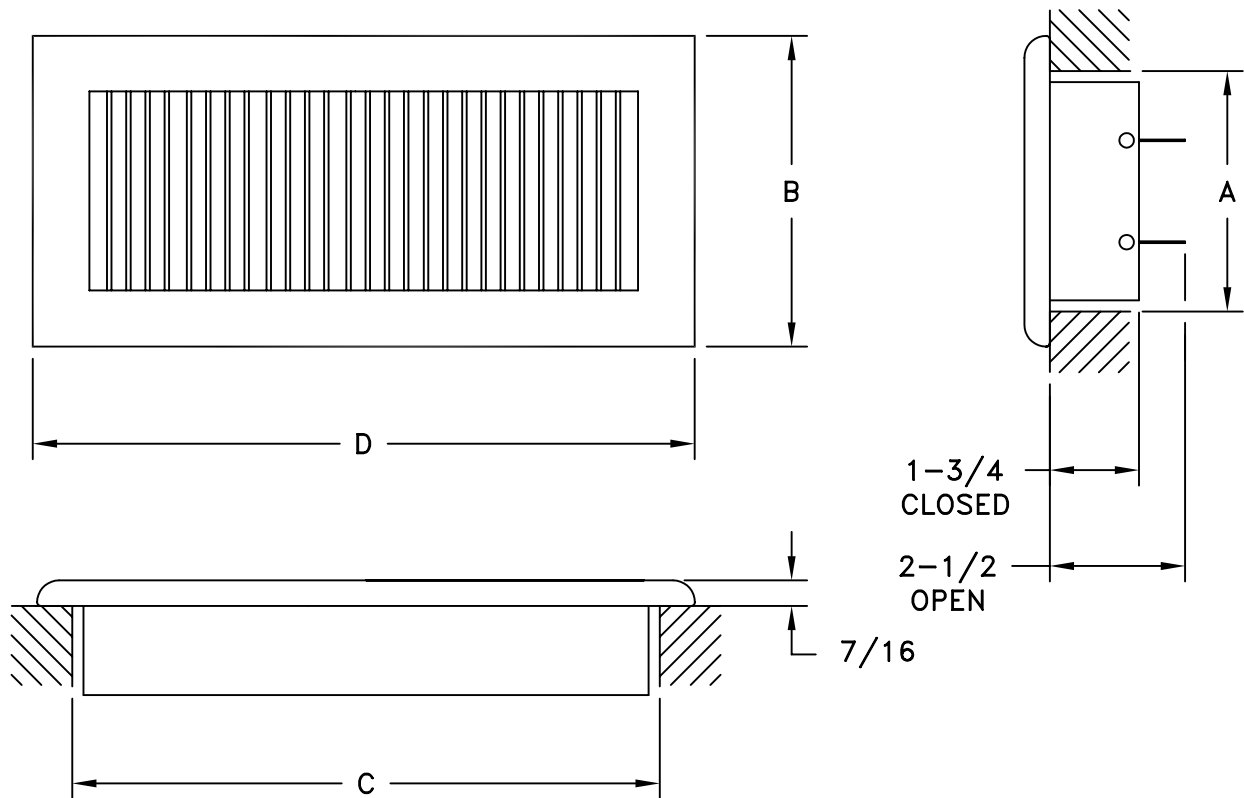


# DECORATIVE SERIES

## WOOD CONTEMPORARY FLOOR REGISTER

STANDARD INDUSTRY TOLERANCES APPLY. SPECIFICATIONS SUBJECT TO CHANGE WITHOUT NOTICE.



SIZE A X C	DIMENSIONS OVERALL (SEE DETAIL SKETCHES)	
	B	D
2 X 10	3-1/2	11-1/4
2 X 12	3-1/2	13-1/4
2 X 14	3-1/2	15-1/4
4 X 10	5-1/4	11-1/4
4 X 12	5-1/4	13-1/4
4 X 14	5-1/4	15-1/4
6 X 10	7-3/8	11-1/4
6 X 12	7-3/8	13-1/4
6 X 14	7-3/8	15-1/4

Solid oak face with attached steel lever operated damper. Light oak, medium oak, and natural oak finishes.

PROJECT: \_\_\_\_\_

ARCHITECT: \_\_\_\_\_

ENGINEER: \_\_\_\_\_

CONTRACTOR: \_\_\_\_\_

LOCATION: \_\_\_\_\_



**J&J REGISTER**  
AIR DISTRIBUTION PRODUCTS