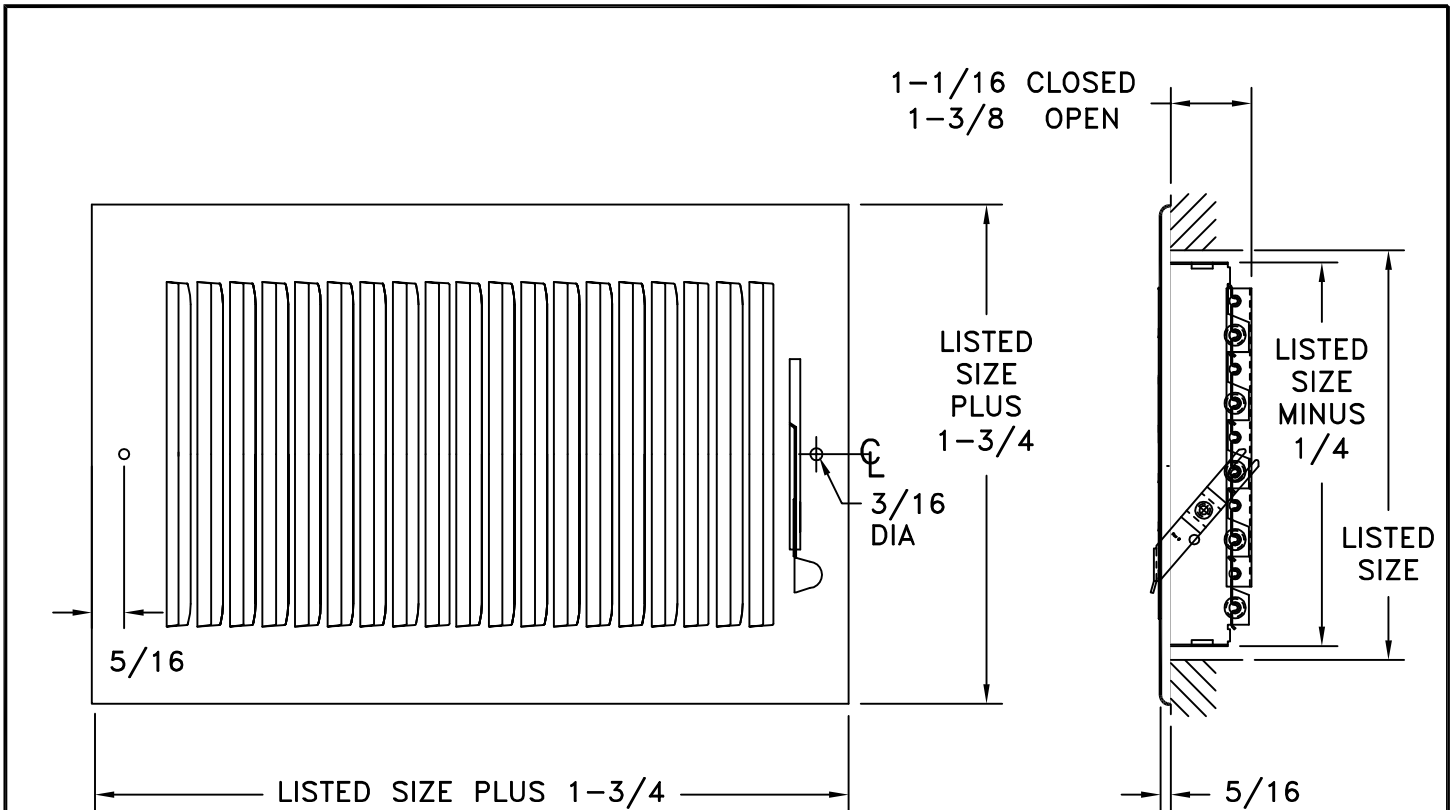


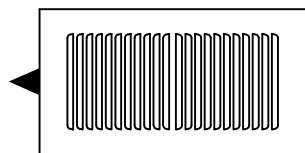
MODEL SW

STAMPED STRAIGHT BLADE SUPPLY WITH MULTI-LOUVER DAMPER

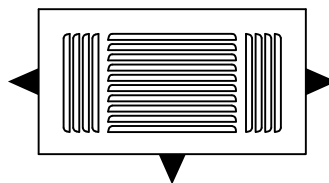
STANDARD INDUSTRY TOLERANCES APPLY. SPECIFICATIONS SUBJECT TO CHANGE WITHOUT NOTICE.



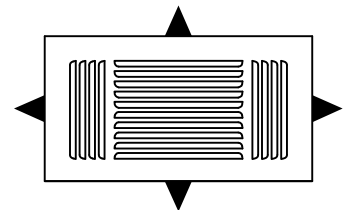
SW1W



SW2W



SW3W



SW4W

DAMPER AND DIMENSIONS ARE TYPICAL FOR ALL DEFLECTIONS

Model SW is a stamped straight blade supply for ceiling or sidewall installation. The SW features a one-piece faceplate with a multi-louver steel damper for volume control. Fins spaced at 1/2" and set at 40 degrees. Available in 1,2,3, or 4-way deflection for heating or cooling. Steel construction w/ metal lever. Standard finish is white. Sizes offered vary by face style.

PROJECT: _____

ARCHITECT: _____

ENGINEER: _____

CONTRACTOR: _____

LOCATION: _____

