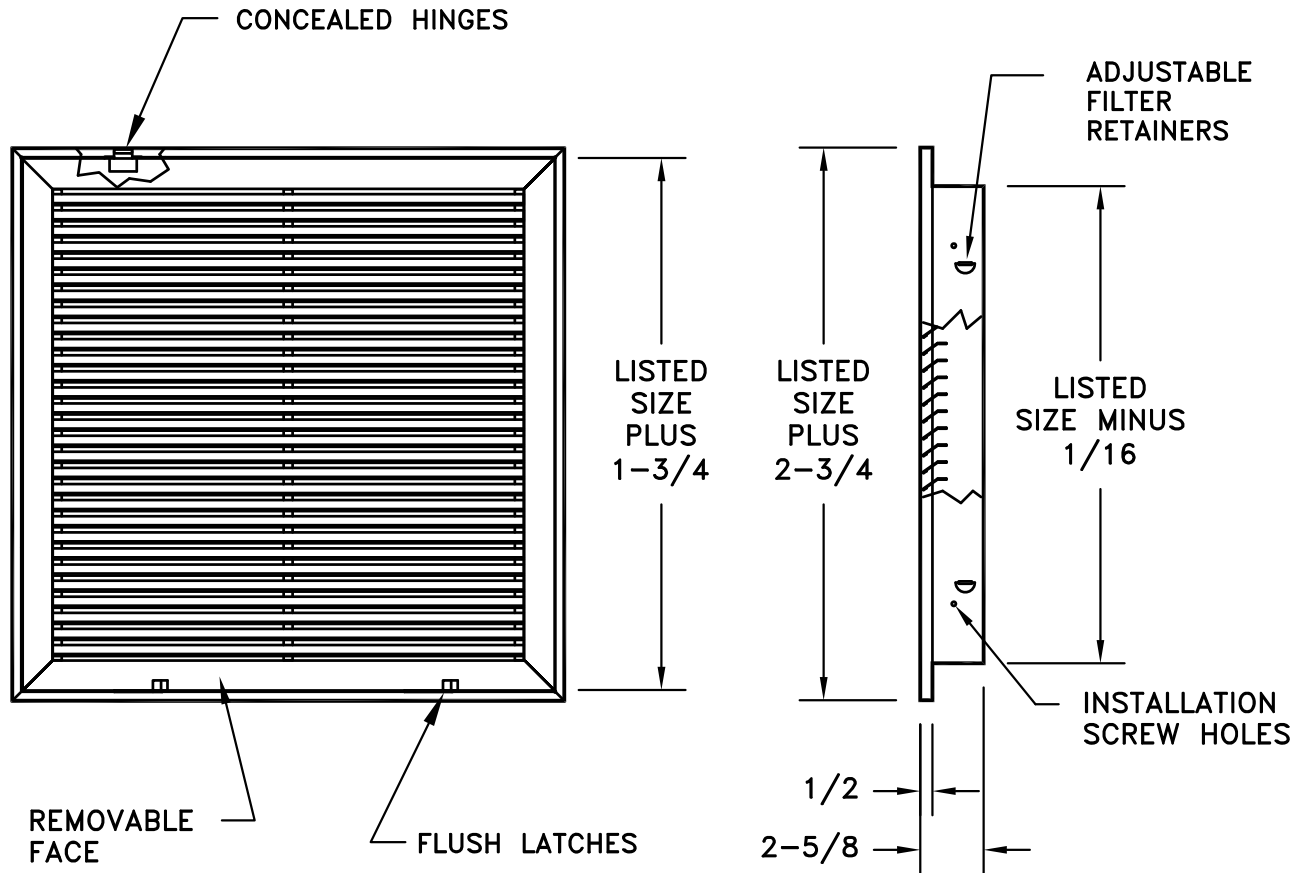


# MODEL S90HFF or S90VFF

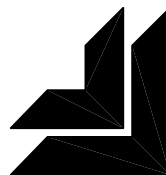
## GRILLE WITH FILTER FRAME

STANDARD INDUSTRY TOLERANCES APPLY. SPECIFICATIONS SUBJECT TO CHANGE WITHOUT NOTICE.



Model S90HFF or S90VFF Grille with filter frame is designed for use in all types of air conditioning systems. In addition to holding the filter, unit can be used as an access opening into small air handling units. Standard hinge location is at top of face. Standard latch is located on side opposite hinge. Standard filter frame holds 1" disposable filter (provided by others). 2" filter size also available. Steel construction. Standard finish is white.

PROJECT: \_\_\_\_\_  
 ARCHITECT: \_\_\_\_\_  
 ENGINEER: \_\_\_\_\_  
 CONTRACTOR: \_\_\_\_\_  
 LOCATION: \_\_\_\_\_



**J&J REGISTER**  
 AIR DISTRIBUTION PRODUCTS