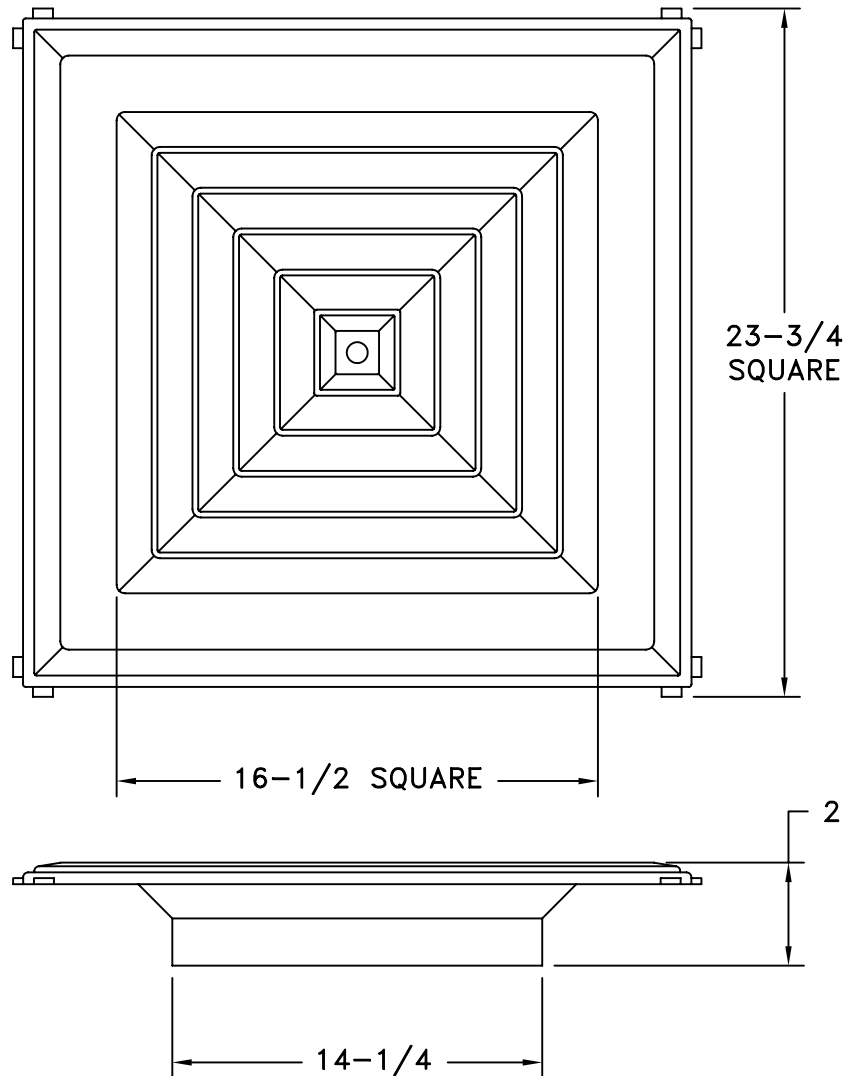


MODEL RZ1400

PLASTIC T-BAR

LOUVERED DIFFUSER

STANDARD INDUSTRY TOLERANCES APPLY. SPECIFICATIONS SUBJECT TO CHANGE WITHOUT NOTICE.



Model RZ1400 is made from an Engineered ABS Polymer. Model RZ1400 has a 4-Way air pattern. A square to round adapter is available in 6", 8", 10", 12" and 14" sizes. The square to round adapter must be ordered separately, please order as **RZRNA**. R22 and R42 dampers will fit **RZRNA** and must be field installed for a secure fit. Flexible Duct easily installs over round neck or **RZRNA** and is held in place with 3 retaining clips on top edge of neck. Standard finish is white. Please note: Units installed in grid ceiling systems should be supported independent of the ceiling hardware.

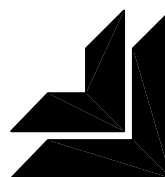
PROJECT: _____

ARCHITECT: _____

ENGINEER: _____

CONTRACTOR: _____

LOCATION: _____


J&J REGISTER
 AIR DISTRIBUTION PRODUCTS