

SUBMITTAL DRAWING

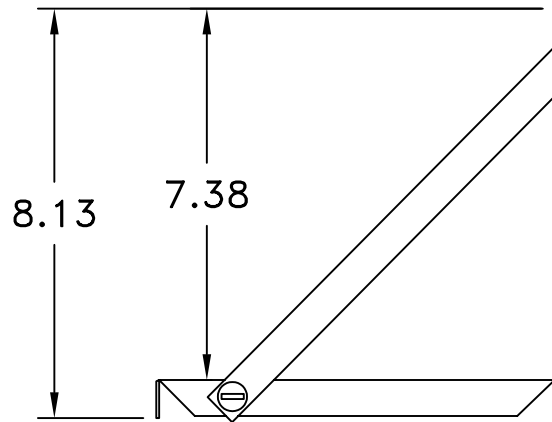
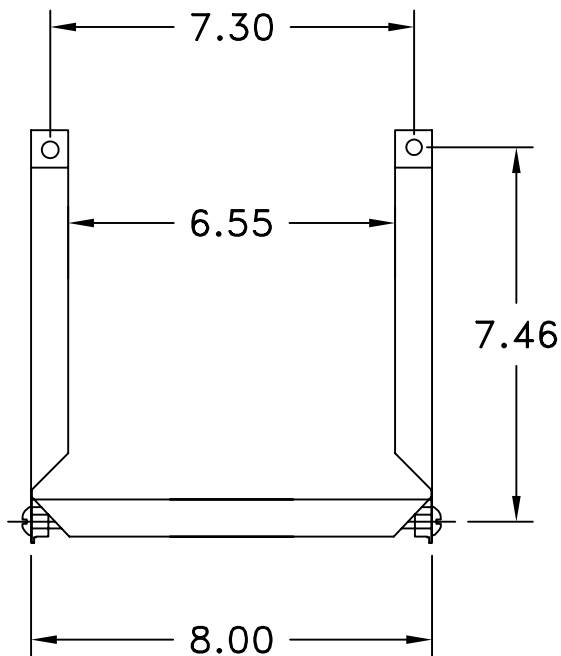
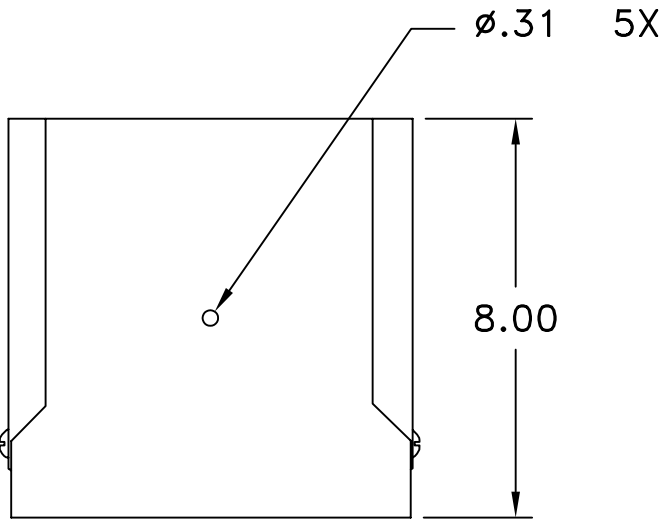
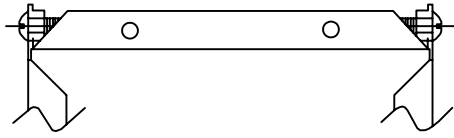
JOB NAME: _____
 LOCATION: _____
 ARCHITECT: _____
 ENGINEER: _____
 CONTRACTOR: _____

**Type B Gas Vent
 SUPPORT PLATE
 3" - 6" DIAMETER**

DATE: 05/03/05

SUBMITTED BY: _____

DRAWING #: B1-21



• MATERIAL
 .025 THICK, GALVANIZED STEEL