

**SUBMITTAL DRAWING**

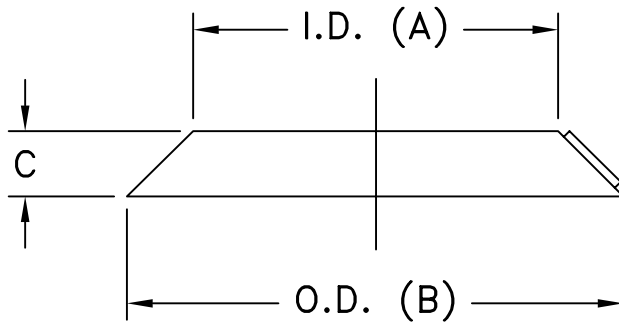
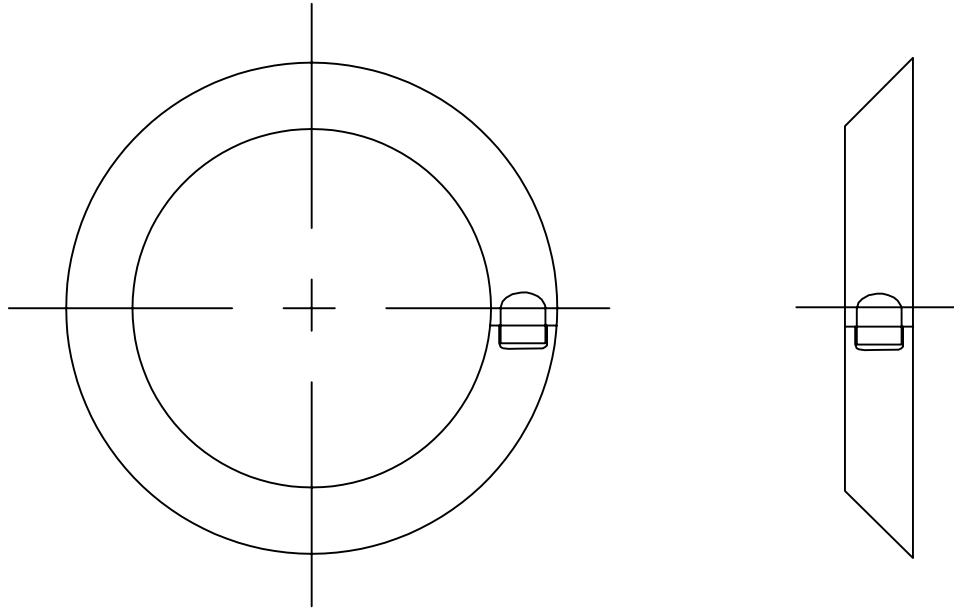
JOB NAME: \_\_\_\_\_  
 LOCATION: \_\_\_\_\_  
 ARCHITECT: \_\_\_\_\_  
 ENGINEER: \_\_\_\_\_  
 CONTRACTOR: \_\_\_\_\_

**Type B Gas Vent**  
 ADJUSTABLE STORM COLLAR-RSC  
 7" - 30" DIAMETER

DRAWING #: B1-25

DATE: 05/03/05

SUBMITTED BY: \_\_\_\_\_



PART NO.	A I.D.	B O.D.	C
7RSC	8"	10-7/8"	1-7/16"
8RSC	9"	11-7/8"	1-7/16"
10RSC	11"	14-1/2"	1-3/4"
12RSC	13"	16-1/2"	1-3/4"
14SC	15"	18-7/8"	1-15/16"
16SC	17"	21-1/4"	2-1/8"
18SC	19"	23-3/4"	2-5/16"

PART NO.	A I.D.	B O.D.	C
20SC	21"	25-15/16"	2-1/2"
22SC	23"	28-5/16"	2-11/16"
24SC	25"	30-11/16"	2-7/8"
26SC	27"	33-1/16"	3-1/16"
28SC	29"	35-1/16"	3-1/4"
30SC	31"	37-1/16"	3-7/16"

• MATERIAL:  
 .018 THICK, G-90 GALVANIZED STEEL