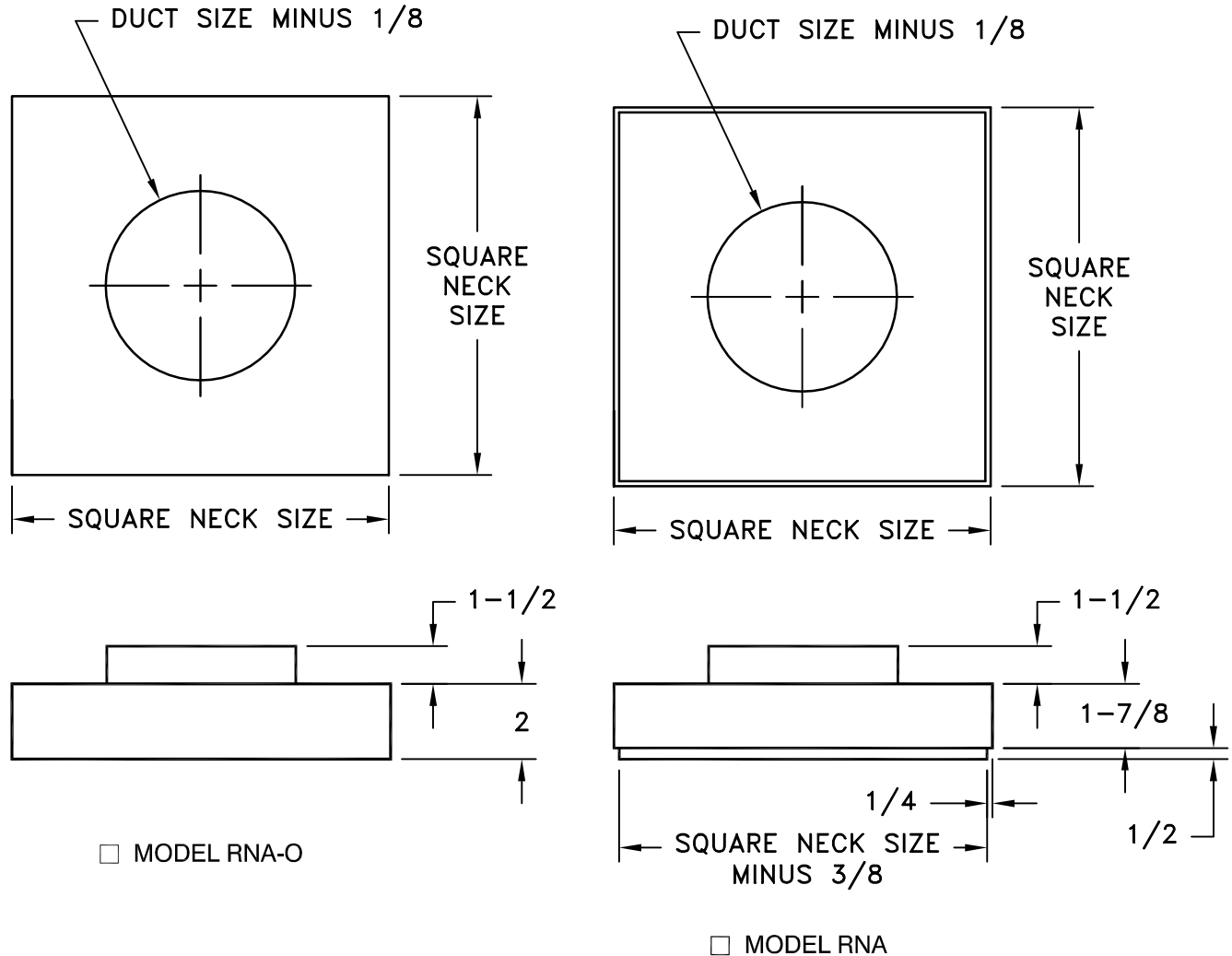


MODEL RNA

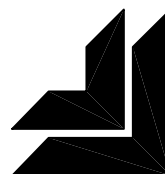
ROUND NECK ADAPTOR

STANDARD INDUSTRY TOLERANCES APPLY. SPECIFICATIONS SUBJECT TO CHANGE WITHOUT NOTICE.



Two styles of Round Neck Adaptors permit the connection of the round ducts to most square pattern diffusers. Clearance is provided for J&J OBD operation. Model RNA-O is for diffusers which have square necks 1/8" under duct size. Model RNA is for diffusers which have square necks 1/2" under neck size. Specify model required, square neck size and round neck size. Steel construction. Mil Finish.

PROJECT: _____
 ARCHITECT: _____
 ENGINEER: _____
 CONTRACTOR: _____
 LOCATION: _____



J&J REGISTER
AIR DISTRIBUTION PRODUCTS