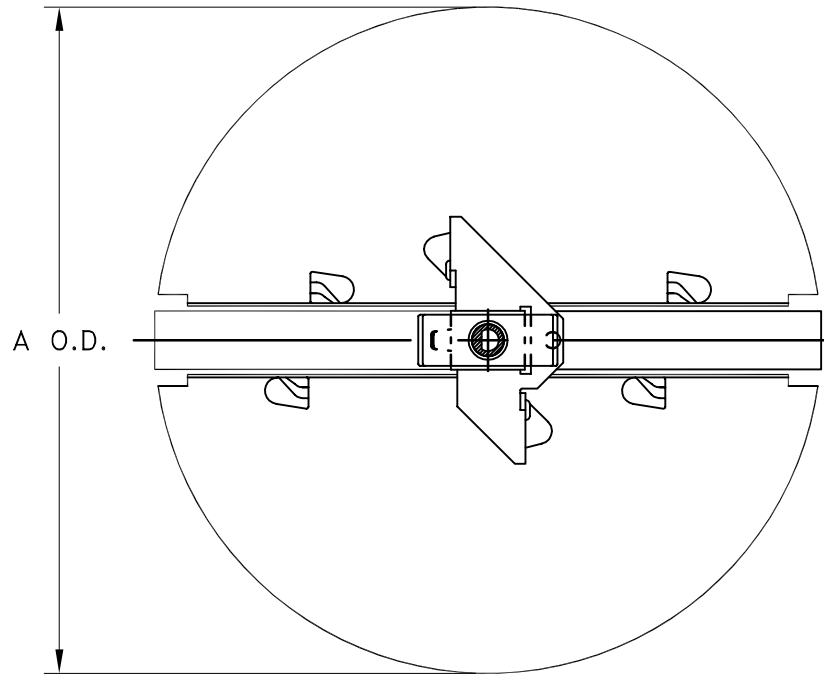


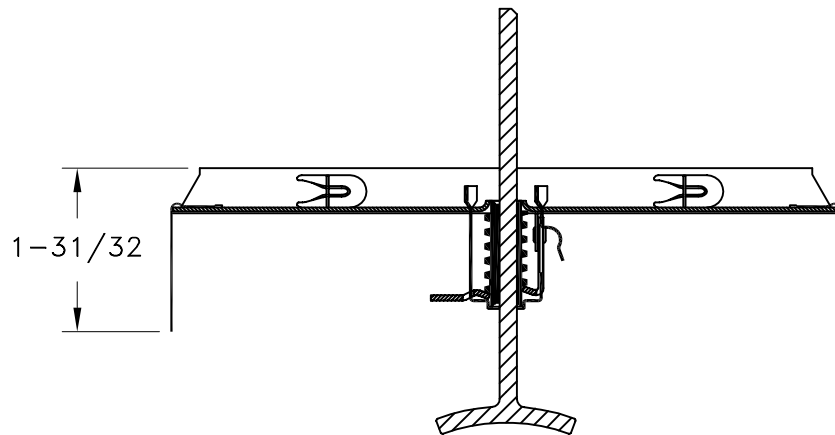
# MODEL R-22

## BUTTERFLY DAMPER

STANDARD INDUSTRY TOLERANCES APPLY. SPECIFICATIONS SUBJECT TO CHANGE WITHOUT NOTICE.



SIZE	A O.D.
6	5-11/16
8	7-11/16
10	9-11-16
12	11-11/16
14	13-11/16



Model R-22 Round butterfly damper is designed to be use with most round neck diffusers for efficient volume control. The R-22 can be adjusted from the face of the diffuser with a nylon T handle that is provided. The damper is designed for quick and easy attachment to the neck and is shipped separate from the diffuser. Available in 6", 8", 10", 12" and 14". Steel construction. Brown Finish.

PROJECT: \_\_\_\_\_

ARCHITECT: \_\_\_\_\_

ENGINEER: \_\_\_\_\_

CONTRACTOR: \_\_\_\_\_

LOCATION: \_\_\_\_\_



**J&J REGISTER**  
AIR DISTRIBUTION PRODUCTS