

SUBMITTAL DRAWING

DATE: 05/03/05

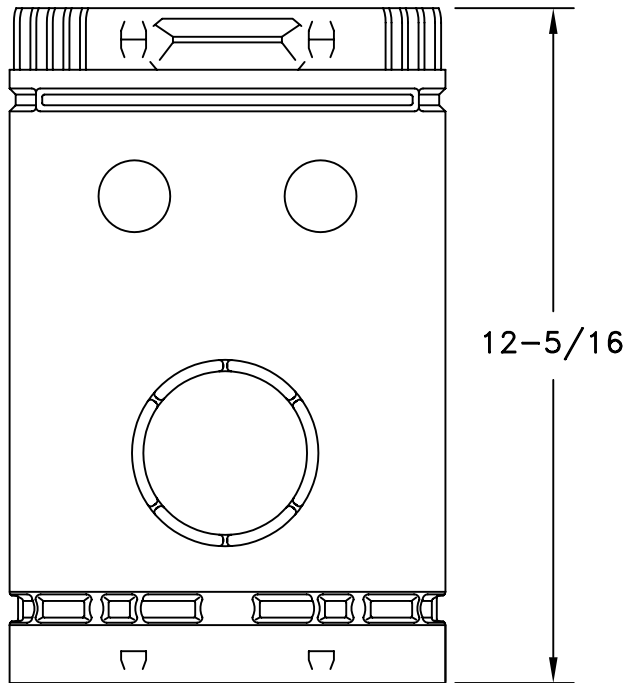
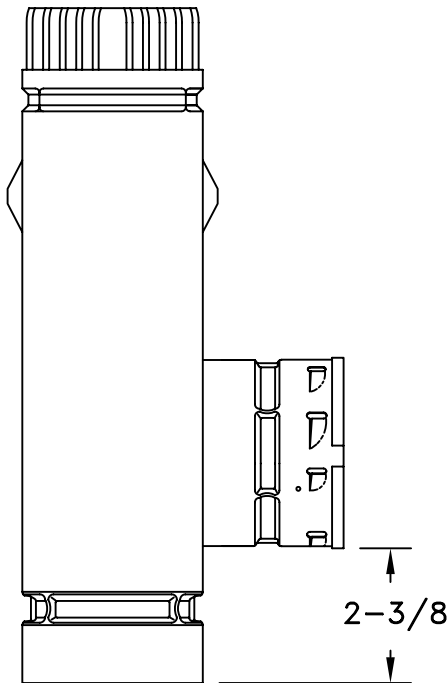
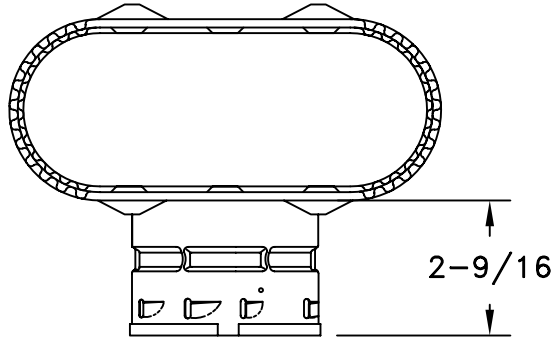
SUBMITTED BY:

JOB NAME: _____
 LOCATION: _____
 ARCHITECT: _____
 ENGINEER: _____
 CONTRACTOR: _____

Type B Gas Vent

REDUCING TEE
 SIZES: 4" TEE WITH 3" BRANCH

DRAWING #: B2-9



PART NO.	SIZE
40T-3	4"



- MATERIAL
 OUTER - MIN., .018 THICK, GALVANIZED STEEL
 INNER - MIN., .012 THICK, ALUMINUM ALLOY