

SUBMITTAL DRAWING

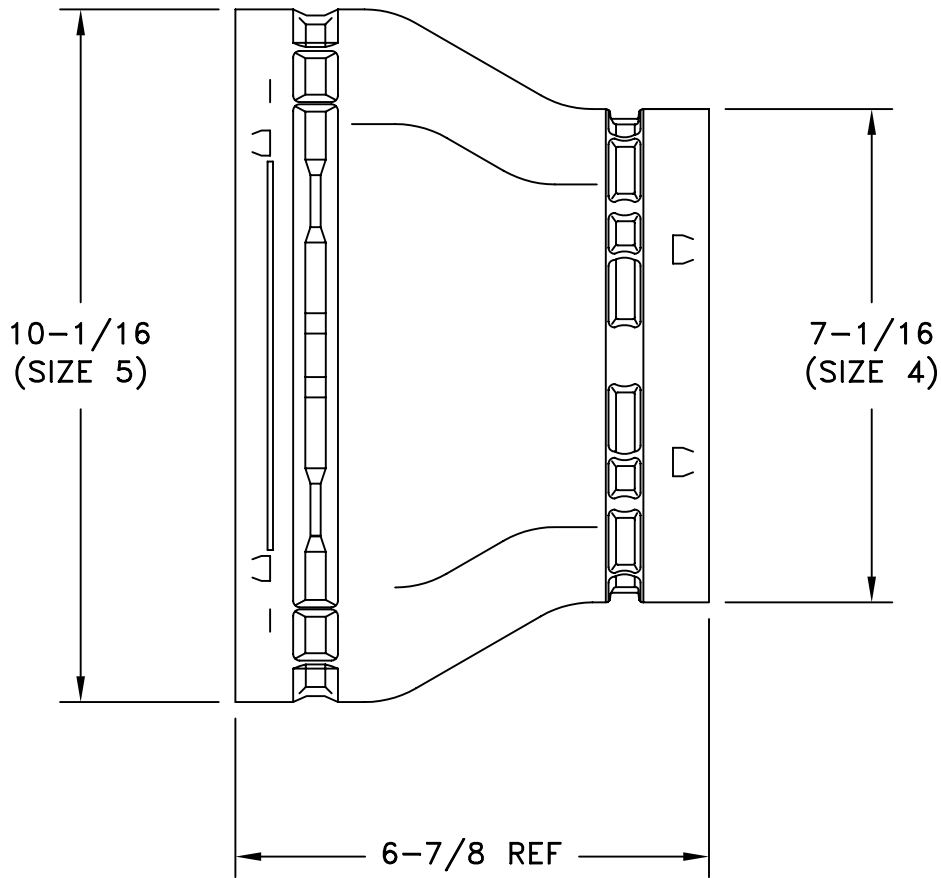
DATE: 05/03/05

SUBMITTED BY:

JOB NAME: _____
 LOCATION: _____
 ARCHITECT: _____
 ENGINEER: _____
 CONTRACTOR: _____

Type B Gas Vent
INCREASER
FROM 4" TO 5"

DRAWING #: B2-3



PART NO.	SIZE
401X5	4"



- MATERIAL
 OUTER - MIN., .018 THICK, GALVANIZED STEEL
 INNER - MIN., .012 THICK, ALUMINUM ALLOY