

**SUBMITTAL DRAWING**

DATE: 05/03/05

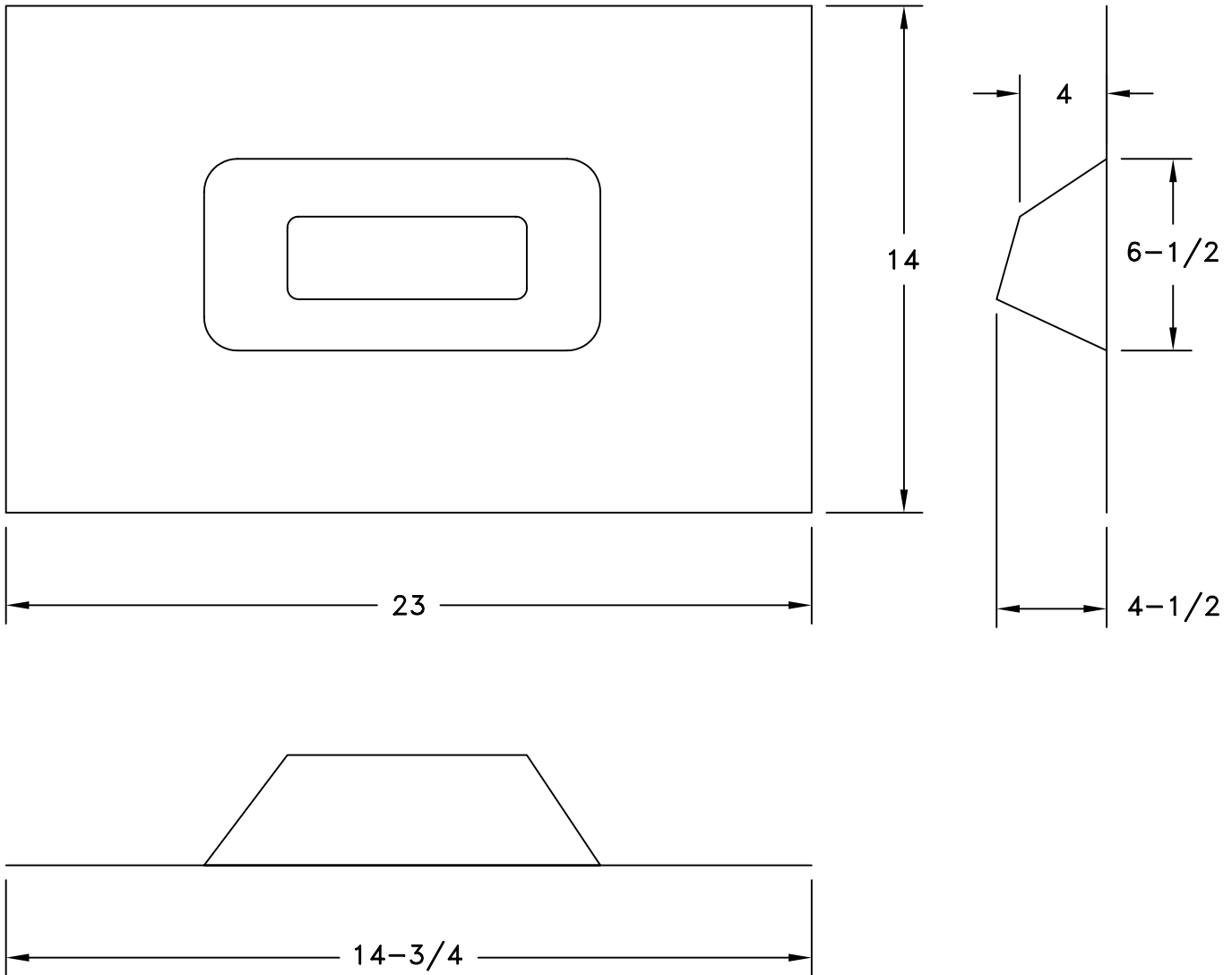
SUBMITTED BY:

JOB NAME: \_\_\_\_\_  
 LOCATION: \_\_\_\_\_  
 ARCHITECT: \_\_\_\_\_  
 ENGINEER: \_\_\_\_\_  
 CONTRACTOR: \_\_\_\_\_

**Type B Gas Vent**

FLASHING  
 SIZE 4" - 6"

DRAWING #: B2-14



PART NO.	SIZE
40F	4"
50F	5"
60F	6"



• MATERIAL  
 .018 THICK, GALVANIZED STEEL