

SUBMITTAL DRAWING

DATE: 05/03/05

SUBMITTED BY: _____

JOB NAME: _____

LOCATION: _____

ARCHITECT: _____

ENGINEER: _____

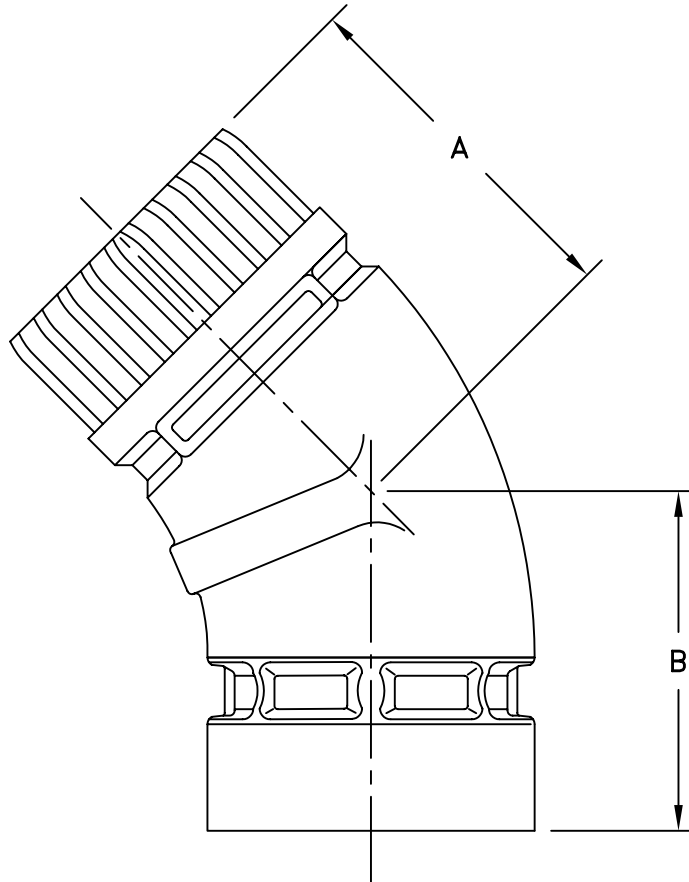
CONTRACTOR: _____

Type B Gas Vent

45° ELBOW/STANDARD

SIZES: 4" -6"

DRAWING #: B2-6



PART NO.	SIZE	LENGTH A	LENGTH B
4045S	4"	3"	3"
5045S	5"	3-1/2"	3-1/2"
6045S	6"	4"	4"



- MATERIAL
OUTER - MIN., .018 THICK, GALVANIZED STEEL
INNER - MIN., .012 THICK, ALUMINUM ALLOY