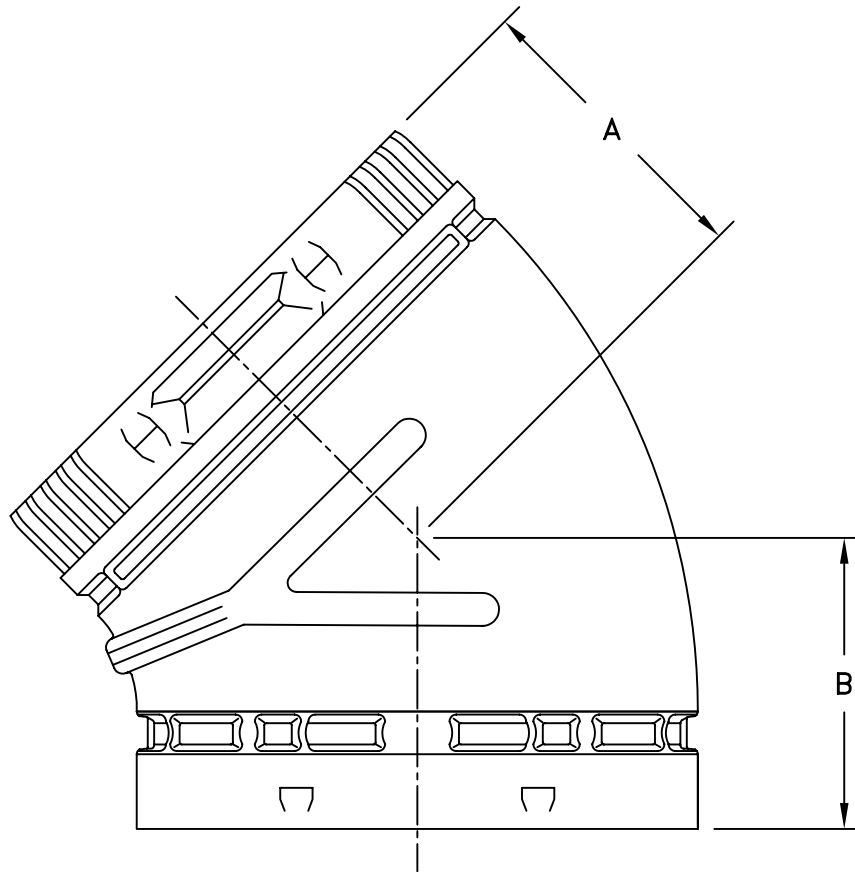


| | | |
|--------------------------|-------------------|---|
| SUBMITTAL DRAWING | JOB NAME: _____ | Type B Gas Vent 45° ELBOW/FLAT SIZES: 4" -6" |
| | LOCATION: _____ | |
| DATE: 05/03/05 | ARCHITECT: _____ | DRAWING #: B2-7 |
| SUBMITTED BY: _____ | ENGINEER: _____ | |
| | CONTRACTOR: _____ | |



| PART NO. | SIZE | LENGTH A | LENGTH B |
|----------|------|-------------|-------------|
| 4045F | 4" | 3-3/4" | 3-3/4" |
| 5045F | 5" | 4-3/4" | 4-3/4" |
| 6045F | 6" | 5" | 5" |



- MATERIAL
- OUTER - MIN., .018 THICK, GALVANIZED STEEL
- INNER - MIN., .012 THICK, ALUMINUM ALLOY