

SUBMITTAL DRAWING

JOB NAME: _____
 LOCATION: _____
 ARCHITECT: _____
 ENGINEER: _____
 CONTRACTOR: _____

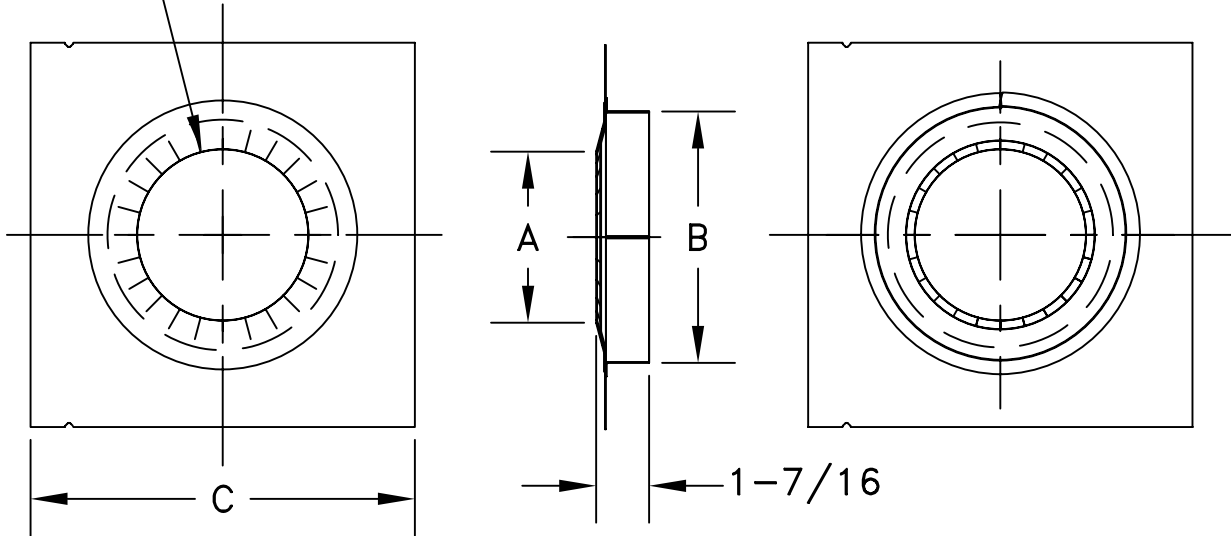
**B-VENT
 FIRESTOP/SUPPORT
 (EGS)**

DATE: 3/4/09

SUBMITTED BY: _____

DRAWING #: B1-29

A DIAMETER



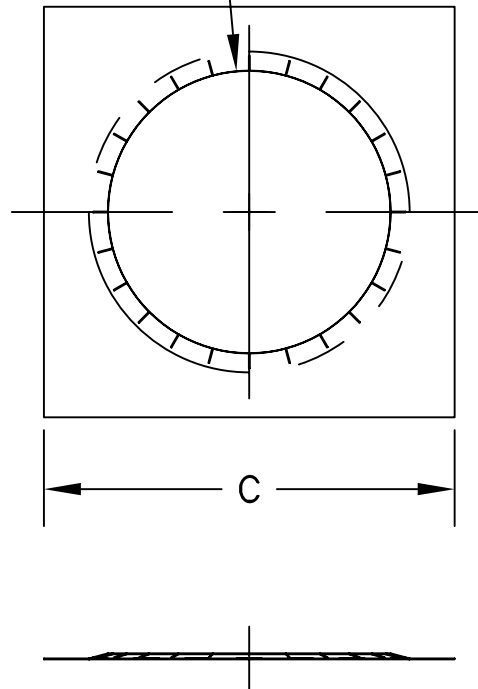
SIZES 3-6



7"-10" ARE NOT UL LISTED

SIZE	A	B	C	S.Q.
3EGS	3-1/2	5-1/2	9	
4EGS	4-1/2	6-1/2	10	
5EGS	5-1/2	7-1/2	11	
6EGS	6-1/2	8-1/2	12	
7EGS	8		13	
8EGS	9		14	
9EGS	10		15	
10EGS	11		16	

A DIAMETER



SIZES 7-10

• MATERIAL: GALVANIZED STEEL • SUPPORTS UP TO 30 FEET OF PIPE