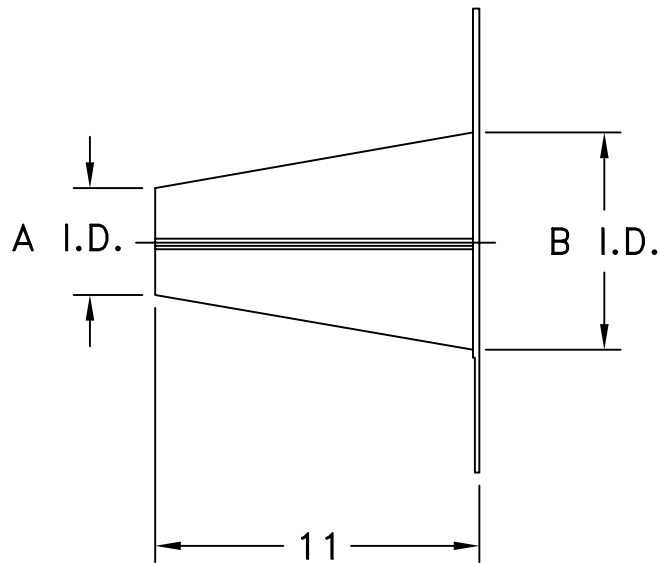
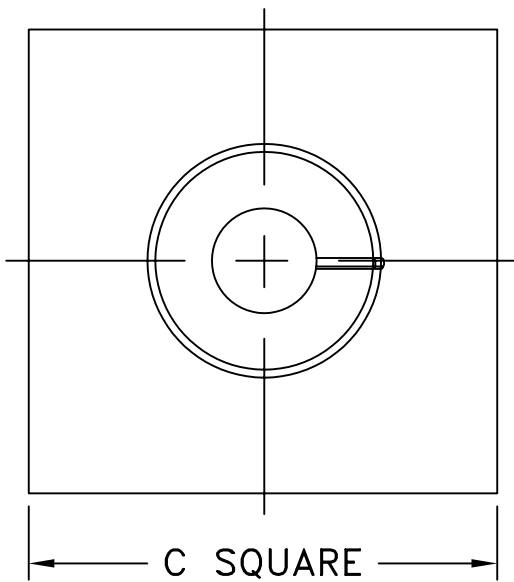


SUBMITTAL DRAWING	JOB NAME: _____	Type B Gas Vent TALL CONE FLASHING - RFT 3" - 30" DIAMETER
	LOCATION: _____	
	ARCHITECT: _____	
DATE: 05/03/05	ENGINEER: _____	DRAWING #: B1-27
SUBMITTED BY: _____	CONTRACTOR: _____	



PART NO.	A I.D.	B O.D.	C
3EFT	3-5/8"	7-1/2"	16"
4EFT	4-5/8"	7-1/2"	16"
5EFT	5-5/8"	7-1/2"	16"
6EFT	6-5/8"	7-1/2"	16"
7RFT	8-1/8"	11"	18-9/16"
8RFT	9-1/8"	11"	18-9/16"
10RFT	11-1/8"	16"	24-1/8"
12RFT	13-1/8"	16"	24-1/8"

PART NO.	A I.D.	B O.D.	C
14FT	15-9/16"	19-5/16"	27"
16FT	17-9/16"	19-5/16"	30"
18FT	19-9/16"	23-9/16"	32-5/16"
20FT	21-9/16"	23-9/16"	36"
22FT	23-9/16"	27-9/16"	39"
24FT	25-9/16"	27-9/16"	40"
26FT	27-9/16"	31-9/16"	43"
28FT	29-9/16"	31-9/16"	45"
30FT	31-9/16"	35-9/16"	46"

• **MATERIAL:**
PLATE & CONE - .018 THICK, G-90 GALVANIZED STEEL