

**SUBMITTAL DRAWING**

DATE: 05/19/05

SUBMITTED BY:

JOB NAME: \_\_\_\_\_

LOCATION: \_\_\_\_\_

ARCHITECT: \_\_\_\_\_

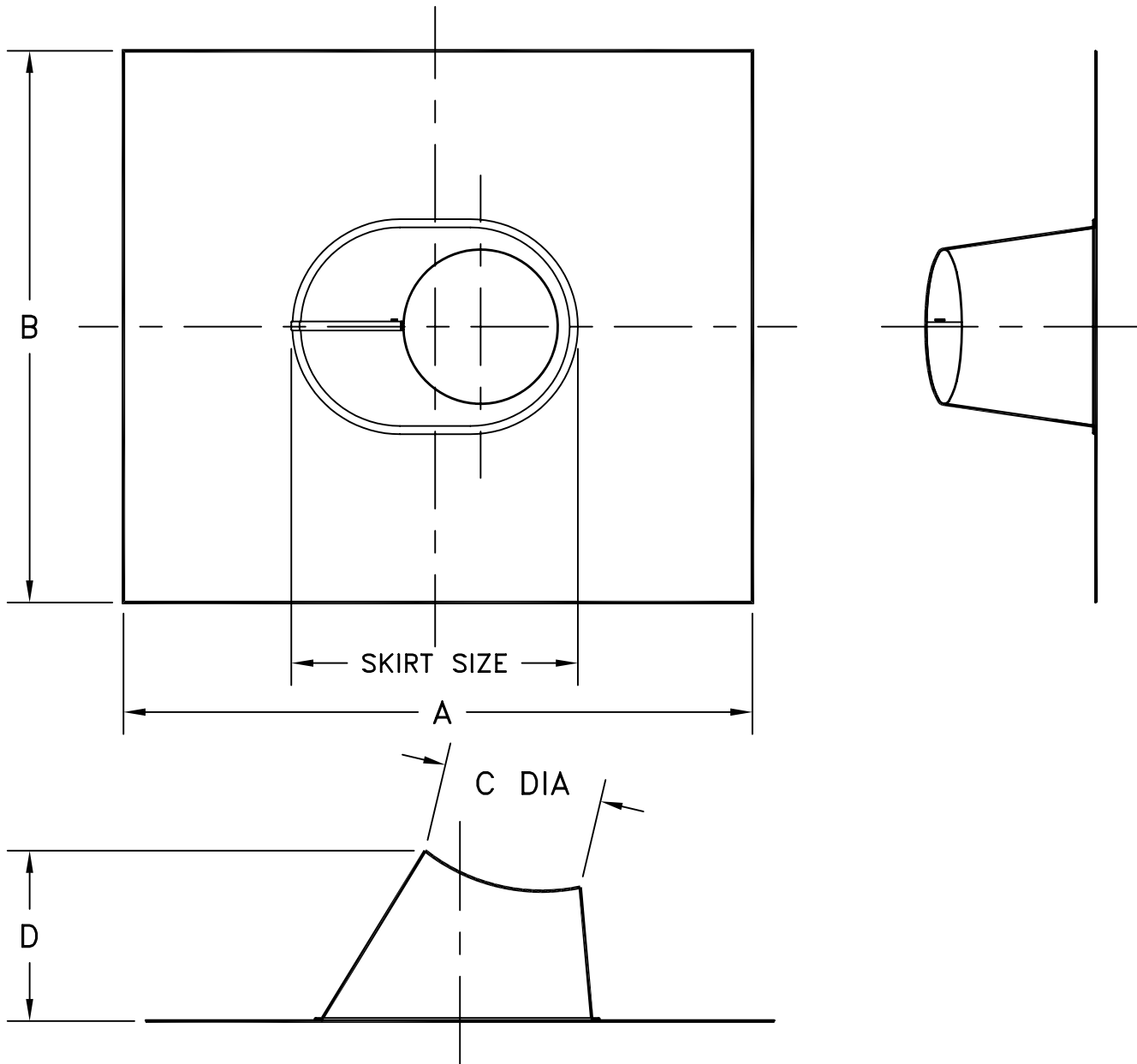
ENGINEER: \_\_\_\_\_

CONTRACTOR: \_\_\_\_\_

**Gas Vent Connectors**

6" Skirt Adjustable Flashing  
3" - 14" Diameter

DRAWING #: B1-31



| PART NO. | A       | B       | C DIA   | D      |
|----------|---------|---------|---------|--------|
| 3EFFU    | 20 1/4  | 15 1/2  | 3 5/8   | 4      |
| 4EFFU    | 20 1/4  | 18      | 4 5/8   | 5      |
| 5EFFU    | 24      | 19      | 5 5/8   | 4 9/16 |
| 6EFFU    | 24      | 19      | 6 5/8   | 6      |
| 7RFFU    | 25 1/16 | 21 1/2  | 8 5/32  | 6 5/8  |
| 8RFFU    | 25 1/16 | 25 1/16 | 9 5/32  | 6 5/8  |
| 9RFFU    | 26      | 26      | 10 5/32 | 6 5/8  |
| 10RFFU   | 29      | 27      | 11 5/32 | 7 1/8  |
| 12RFFU   | 29      | 29      | 13 1/8  | 7 5/8  |
| 14RFFU   | 32      | 32      | 15 1/8  | 8 1/8  |

- MATERIAL:  
PLATE & CONE - .018 THICK, G-90 GALVANIZED STEEL
- ADJUSTS FROM FLAT TO A 6/12 PITCH