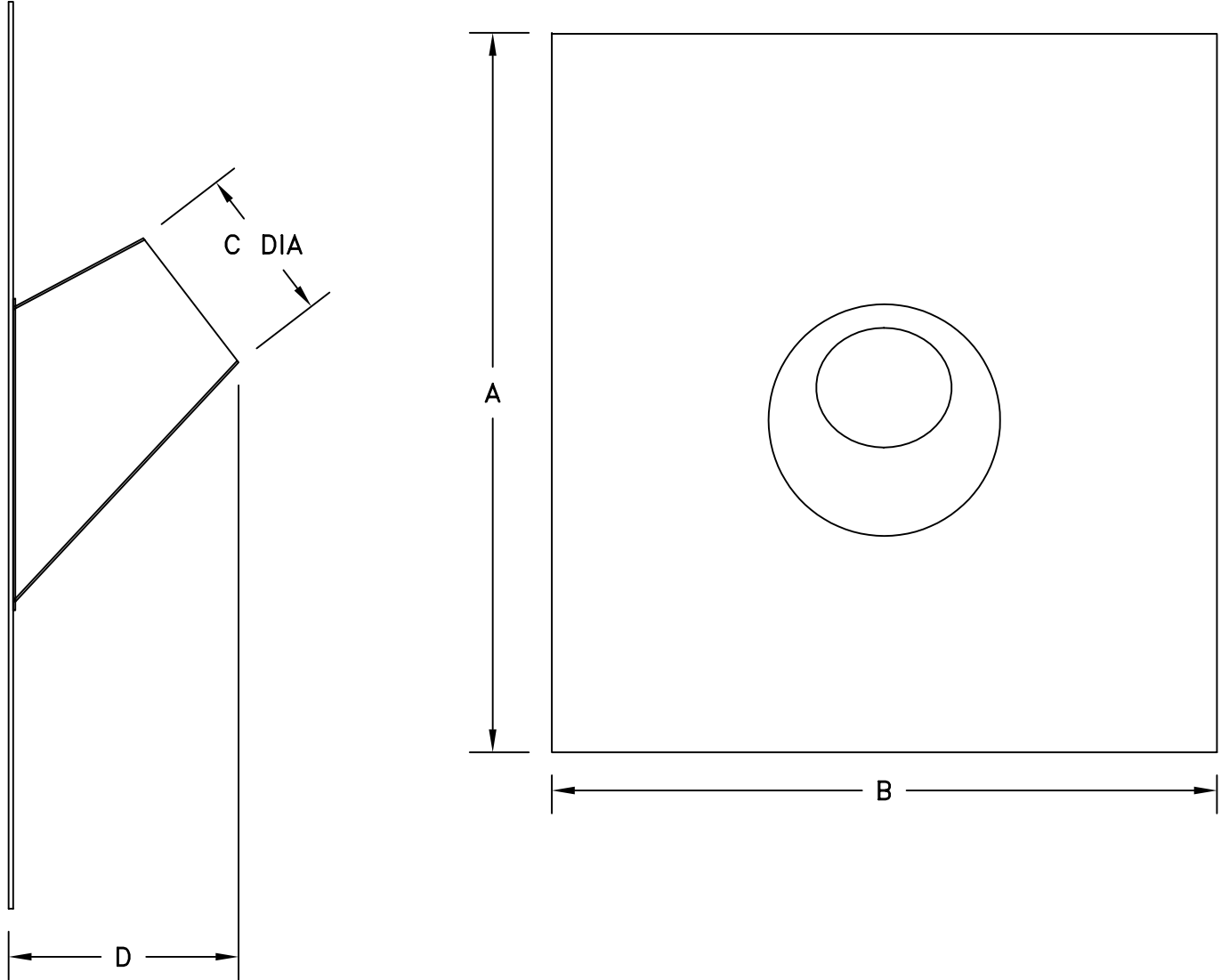


SUBMITTAL DRAWING	JOB NAME: _____	Gas Vent Connectors Steep Pitch Flashings EF12 & RF12 3" - 8" Diameter
	LOCATION: _____	
DATE: 05/19/05	ARCHITECT: _____	DRAWING #: B1-32
SUBMITTED BY: _____	ENGINEER: _____	
	CONTRACTOR: _____	



CAT. NO.	A	B	C DIA	D
3EF12	17 7/8	15	3 5/8	6 1/2
4EF12	17 7/8	15	4 5/8	6 13/16
5EF12	22 5/8	17	5 5/8	7 1/2
6EF12	22 5/8	17	6 5/8	8
7RF12	21 13/16	21 13/16	8 1/8	8 7/8
8RF12	23 1/8	23 1/8	9 1/8	9 1/2

**MATERIAL: PLATE & CONE - .018 THICK, G-90 GALVANIZED STEEL
ADJUSTS FROM 6/12 TO 12/12 PITCH**