

SUBMITTAL DRAWING

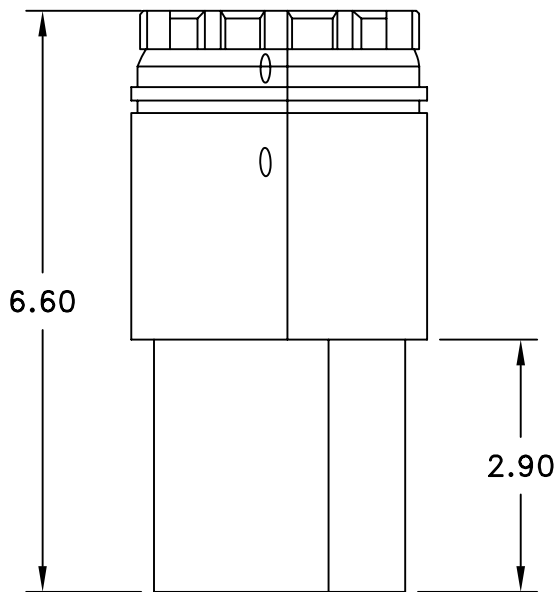
JOB NAME: _____
 LOCATION: _____
 ARCHITECT: _____
 ENGINEER: _____
 CONTRACTOR: _____

Type B Gas Vent
DRAFT HOOD CONNECTOR
3" - 12" DIAMETER

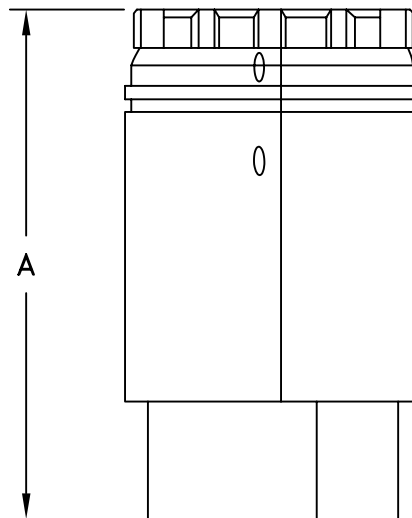
DRAWING #: B1-16

DATE: 05/03/05

SUBMITTED BY: _____



SIZE 4" ONLY



ALL OTHER SIZES

PART NO.	SIZE	LENGTH (A)
3EDC	3"	6"
4EDC	4"	6.60"
5EDC	5"	6"
6EDC	6"	6"
7RDC	7"	6"
8RDC	8"	6"
9RDC	9"	7"
10RDC	10"	7"
12RDC	12"	7"



• **MATERIAL:**
 OUTER - MIN., .018 THICK, GALVANIZED STEEL
 INNER - MIN., .012 THICK, ALUMINUM ALLOY