

SUBMITTAL DRAWING

DATE: 05/03/05

SUBMITTED BY: _____

JOB NAME: _____

LOCATION: _____

ARCHITECT: _____

ENGINEER: _____

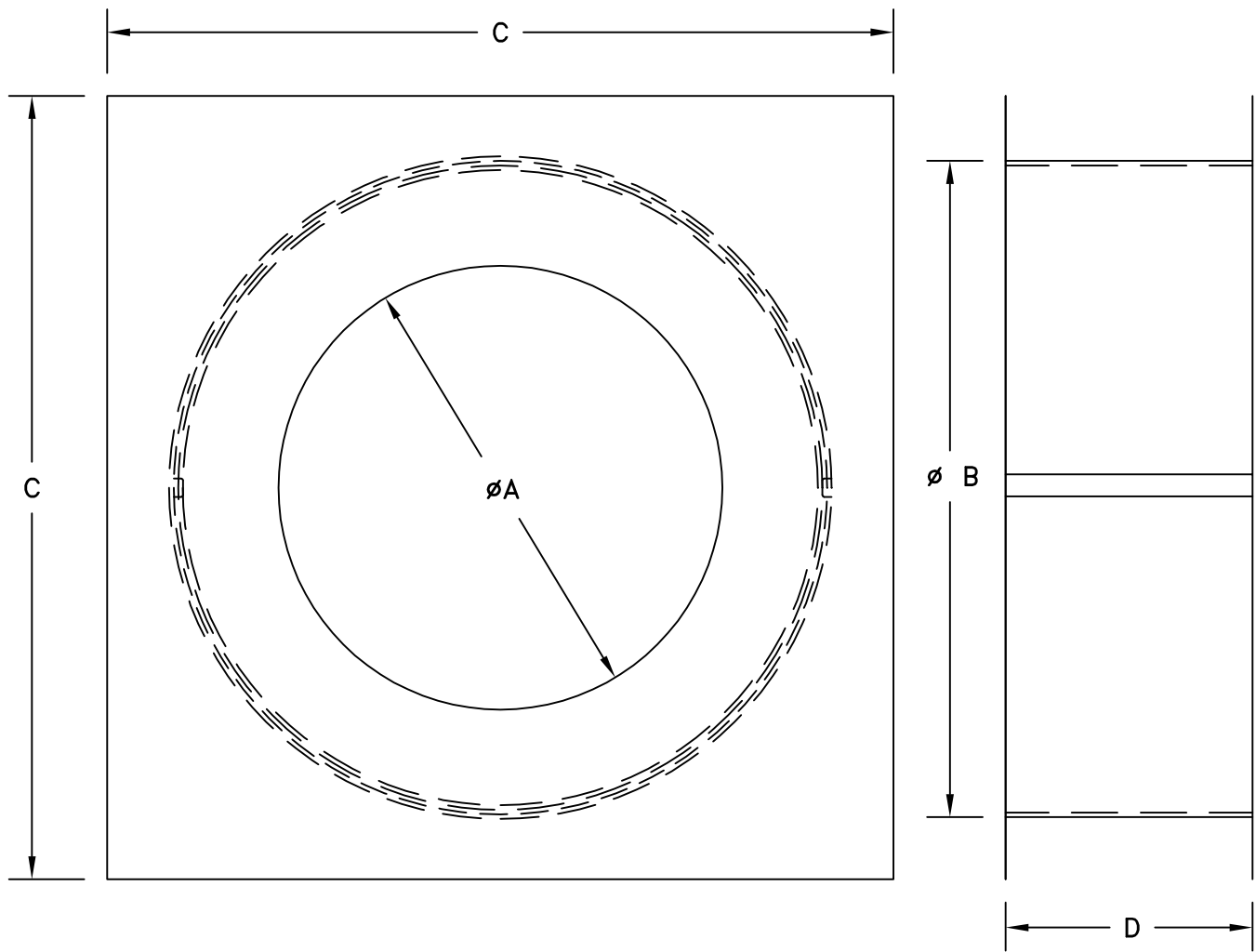
CONTRACTOR: _____

Amerivent Direct Vent

WALL THIMBLE

4" & 5" DIAMETERS

DRAWING #: B7-7



NOTE:
 1. CAN BE USED WITH THE BLACK PAINTED FACE PLATE FOR THE INTERIOR WALL.

PART NO.	SIZE	Ø A	Ø B	LENGTH C	D
4DWT	4"X6-5/8"	6-3/4"	10"	11-11/16"	4.50-8.90
5DWT	5"X8"	8-1/4"	11-1/2"	14"	4.50-8.90



• **MATERIAL:**
 .018 THICK, GALVANIZED STEEL