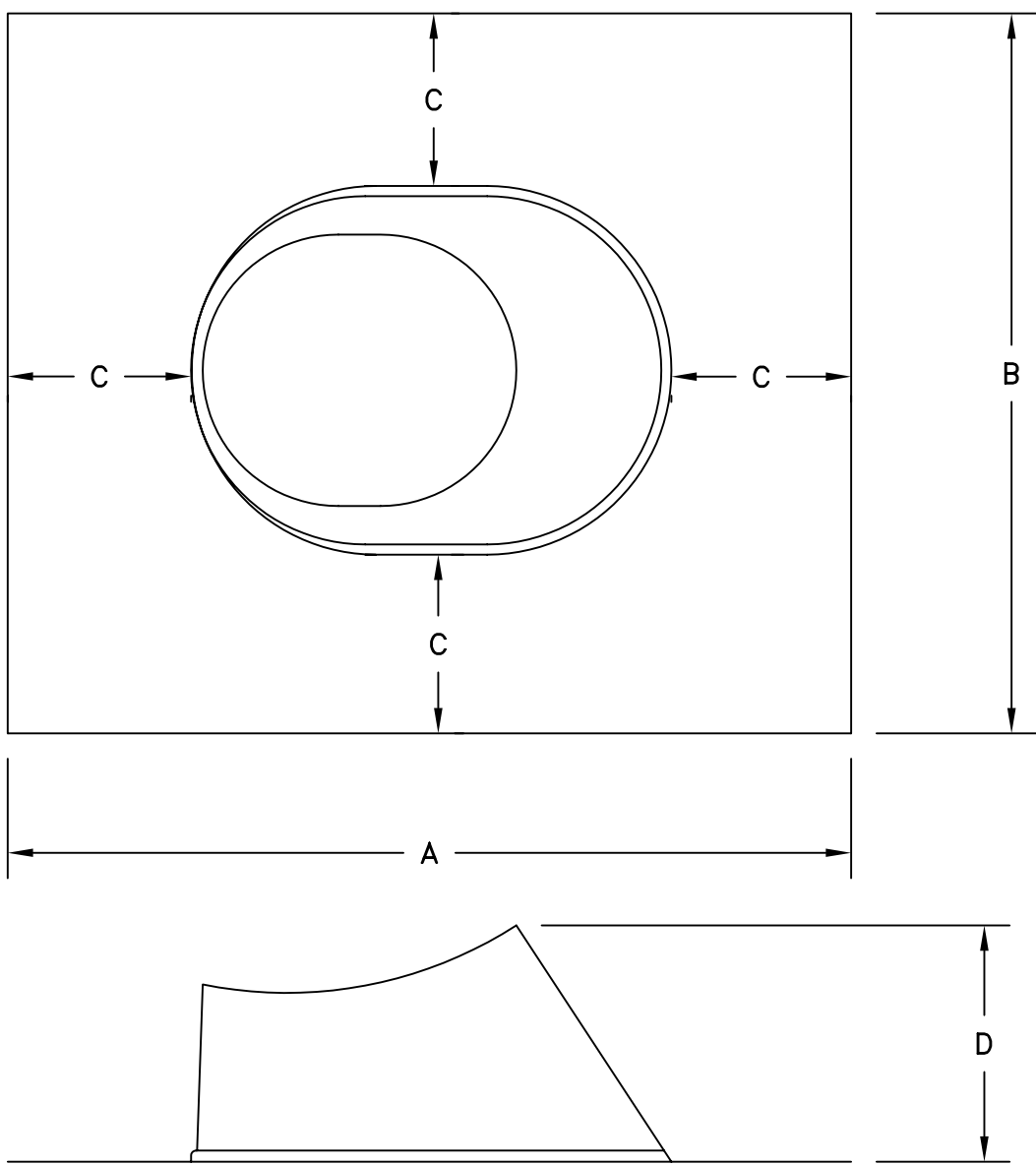


SUBMITTAL DRAWING	JOB NAME: _____	Amerivent Direct Vent STANDARD & STEEP PITCH FLASHING 4" & 5" DIAMETERS
	LOCATION: _____	
DATE: 05/03/05	ARCHITECT: _____	DRAWING #: B7-12
SUBMITTED BY: _____	ENGINEER: _____	
	CONTRACTOR: _____	



NOTE:
 ▲ STANDARD FLASHING FITS FLAT TO 5/12 PITCH ROOF.
 ▲ STEEP PITCH FLASHING FITS 6/12 TO 12/12 PITCH ROOF.

PART NO.	SIZE	LENGTH A	WIDTH B	DISTANCE C	HEIGHT D
▲ 4DF	4"X6-5/8"	18-3/4"	16"	4"	5-1/2"
▲ 4DF12	4"X6-5/8"	22-1/2"	17"	4"	5-1/2"
▲ 5DF	5"X8"	20"	17-3/4"	4"	5-5/8"
▲ 5DF12	5"X8"	21-3/4"	21-3/4"	4"	5-1/2"



• **MATERIAL:**
 .018 THICK, GALVANIZED STEEL