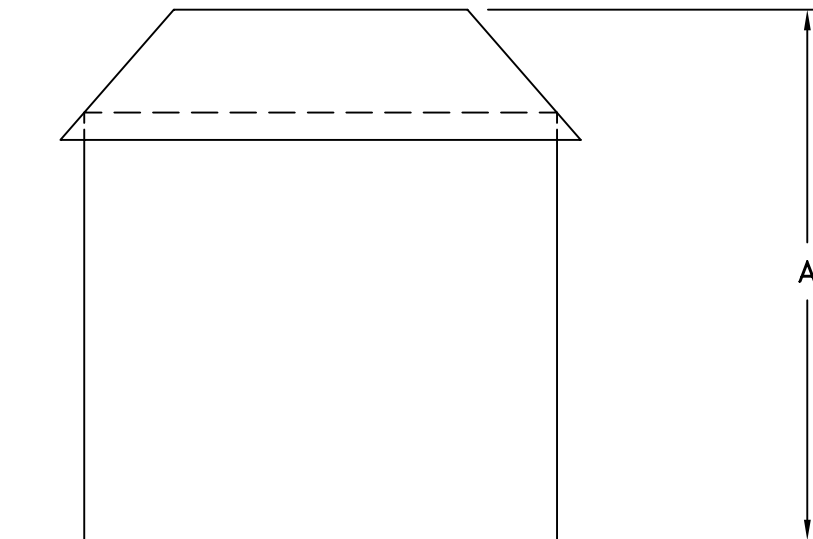
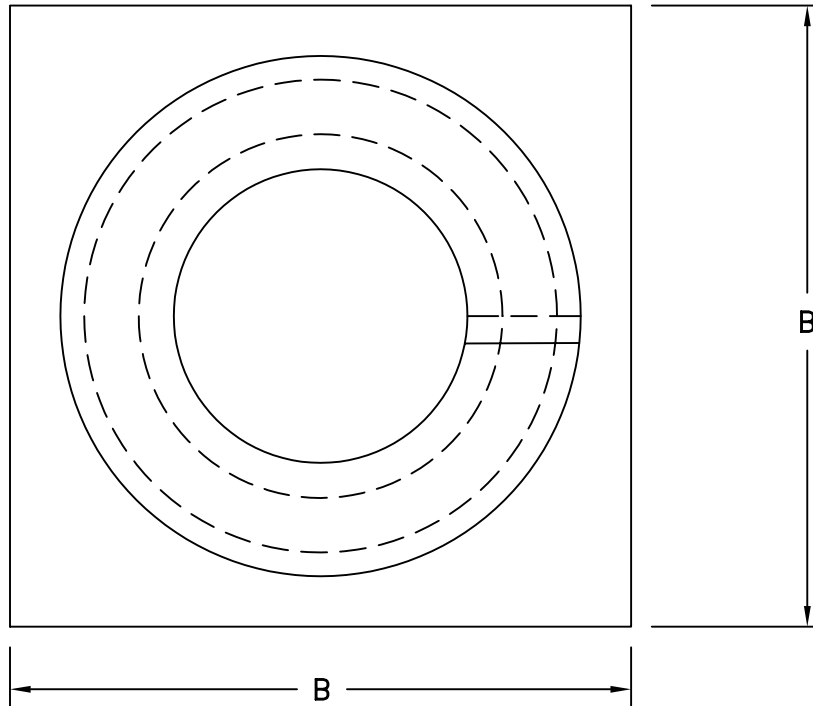


SUBMITTAL DRAWING	JOB NAME: _____	Amerivent Direct Vent ATTIC INSULATION SHIELD 4" & 5" DIAMETERS
	LOCATION: _____	
DATE: 05/03/05	ARCHITECT: _____	DRAWING #: B7-14
SUBMITTED BY: _____	ENGINEER: _____	
	CONTRACTOR: _____	



PART NO.	SIZE	HEIGHT A	BASE B
4DAIS12	4"X6-5/8"	12"	14"
4DAIS36	4"X6-5/8"	36"	14"
5DAIS12	5"X8"	12"	14"
5DAIS36	5"X8"	36"	14"

• MATERIAL
.018 THICK, GALVANIZED STEEL

