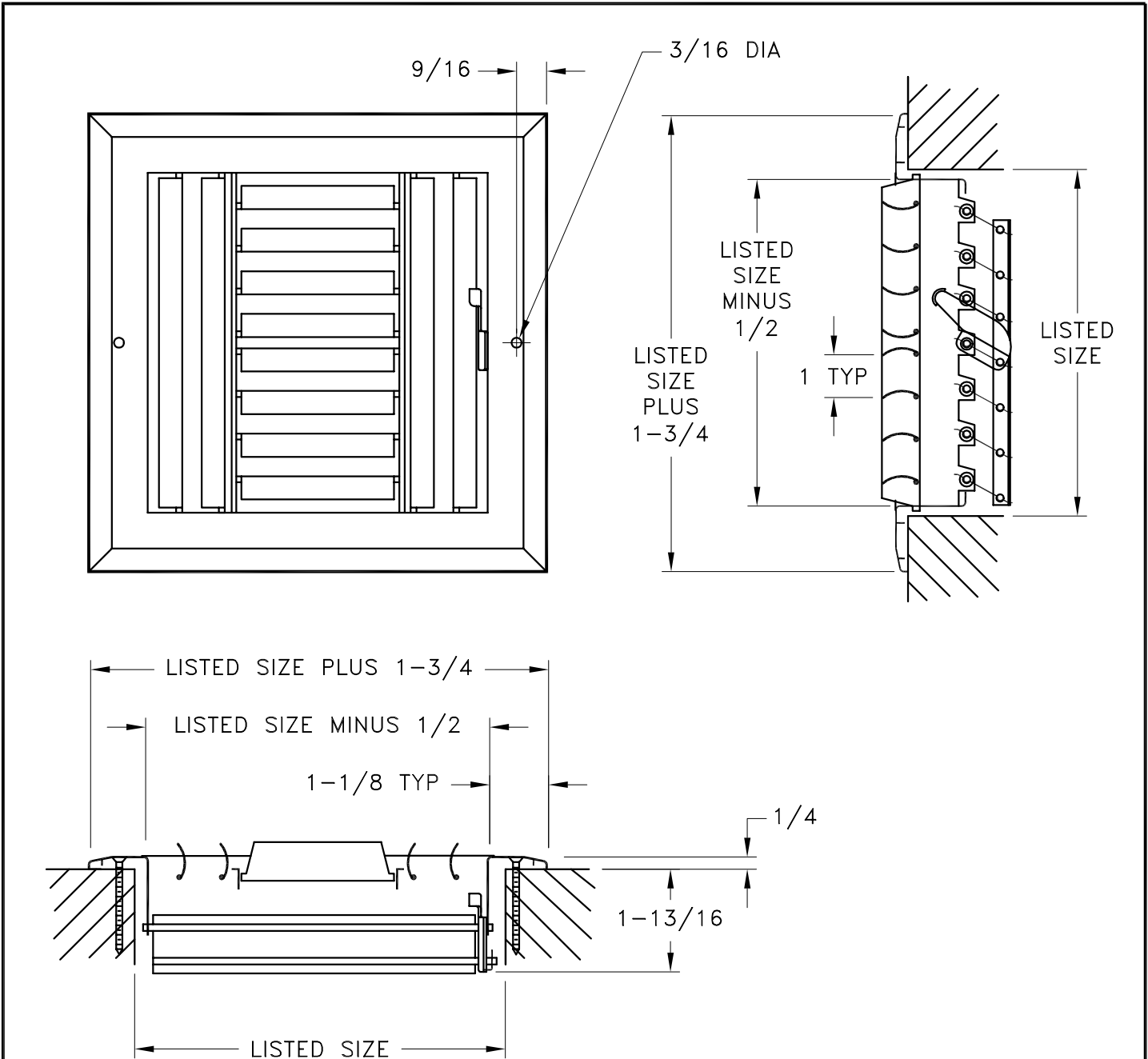


MODEL AL 274 ML

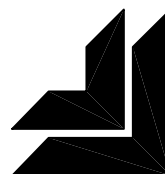
ALUMINUM CURVED BLADE REGISTER

STANDARD INDUSTRY TOLERANCES APPLY. SPECIFICATIONS SUBJECT TO CHANGE WITHOUT NOTICE.



Model AL 274 aluminum register is available with individually adjustable curved blades for increased deflection control. Model AL 274 four-way deflection is designed for sidewall or ceiling application. The stamped face of Model AL 274 eliminates mitered corners and potential rough edges. Multi-louver damper assembly included. Aluminum construction. Standard finish is white.

PROJECT: _____
 ARCHITECT: _____
 ENGINEER: _____
 CONTRACTOR: _____
 LOCATION: _____



J&J REGISTER
AIR DISTRIBUTION PRODUCTS