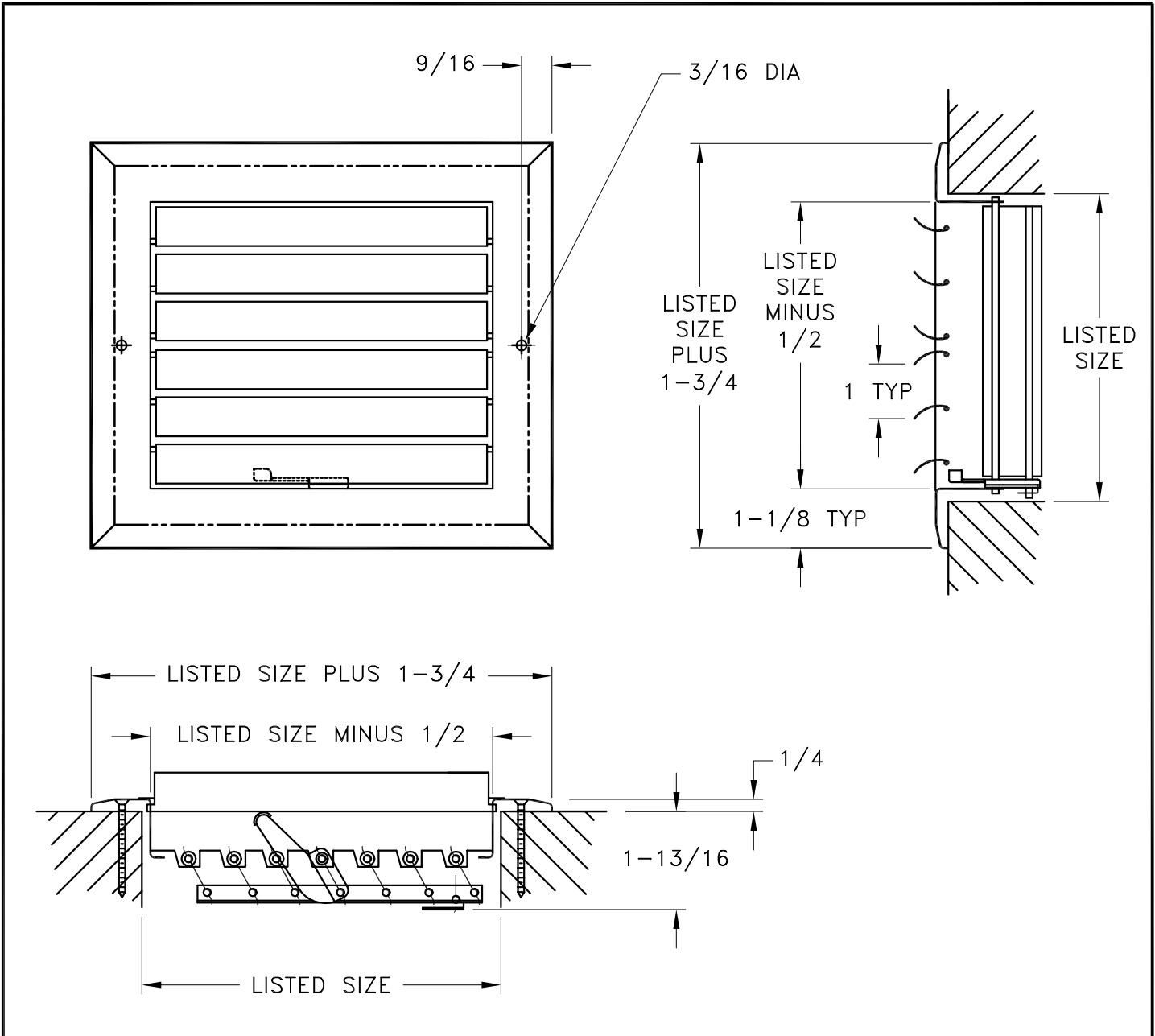


# MODEL AL 272 ML

## ALUMINUM CURVED BLADE REGISTER

STANDARD INDUSTRY TOLERANCES APPLY. SPECIFICATIONS SUBJECT TO CHANGE WITHOUT NOTICE.



Model AL 272 aluminum register is available with individually adjustable curved blades for increased deflection control. The two-way deflection pattern is designed for sidewall or ceiling application. The stamped face of Model AL 272 eliminates mitered corners and potential rough edges. Multi-louver damper assembly included. Aluminum construction. Standard finish is white.

PROJECT: \_\_\_\_\_  
 ARCHITECT: \_\_\_\_\_  
 ENGINEER: \_\_\_\_\_  
 CONTRACTOR: \_\_\_\_\_  
 LOCATION: \_\_\_\_\_

