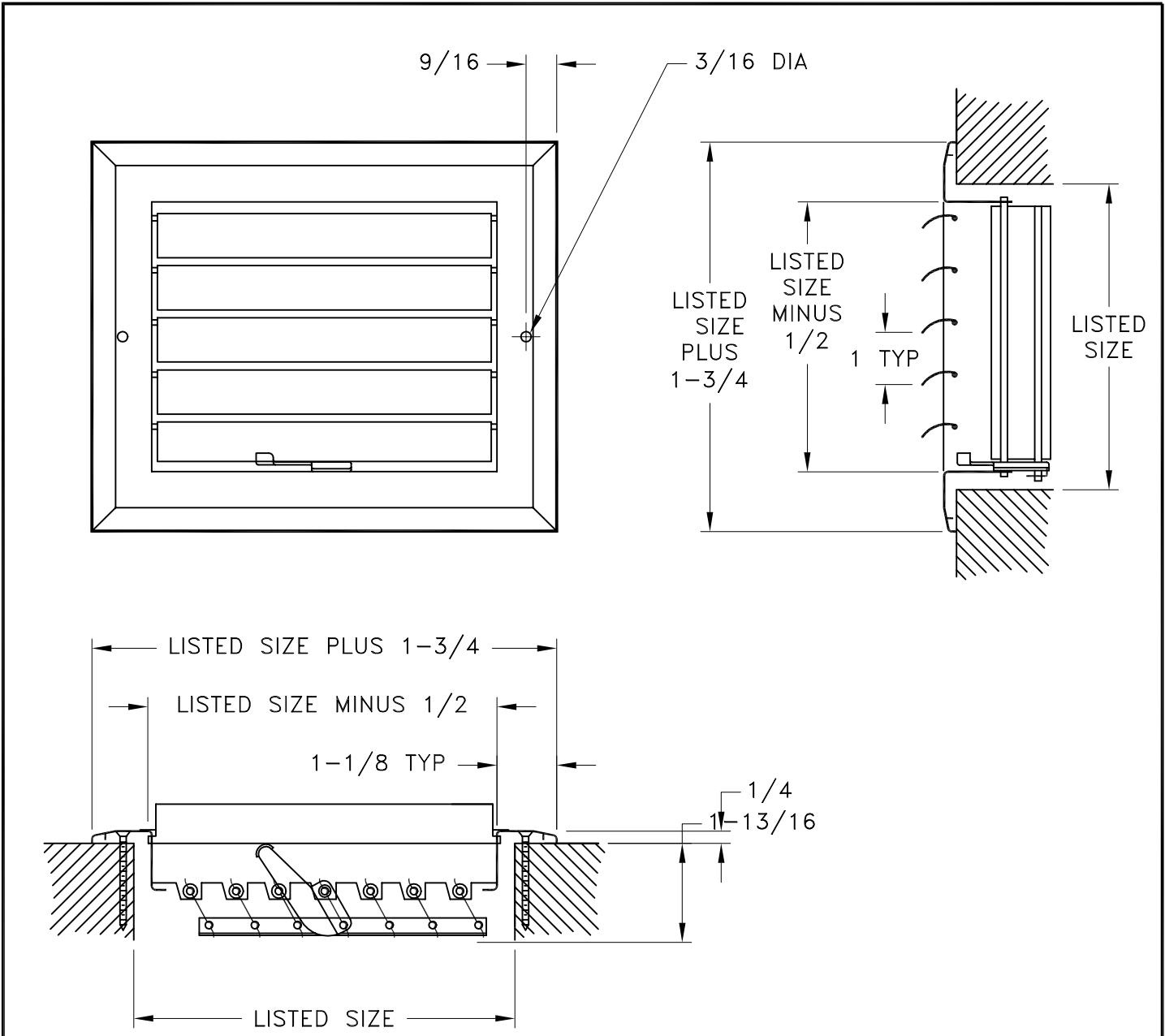


# MODEL AL 271 ML

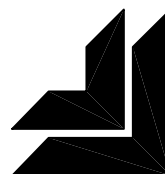
## ALUMINUM CURVED BLADE REGISTER

STANDARD INDUSTRY TOLERANCES APPLY. SPECIFICATIONS SUBJECT TO CHANGE WITHOUT NOTICE.



Model AL 271 adjustable curved blade aluminum register provides one-way air deflection and is designed for sidewall or ceiling application. Multi-louver damper assembly provides volume control. The stamped face of Model AL 271 eliminates mitered corners and potential rough edges. Aluminum construction. Standard finish is white.

PROJECT: \_\_\_\_\_  
 ARCHITECT: \_\_\_\_\_  
 ENGINEER: \_\_\_\_\_  
 CONTRACTOR: \_\_\_\_\_  
 LOCATION: \_\_\_\_\_



**J&J REGISTER**  
AIR DISTRIBUTION PRODUCTS