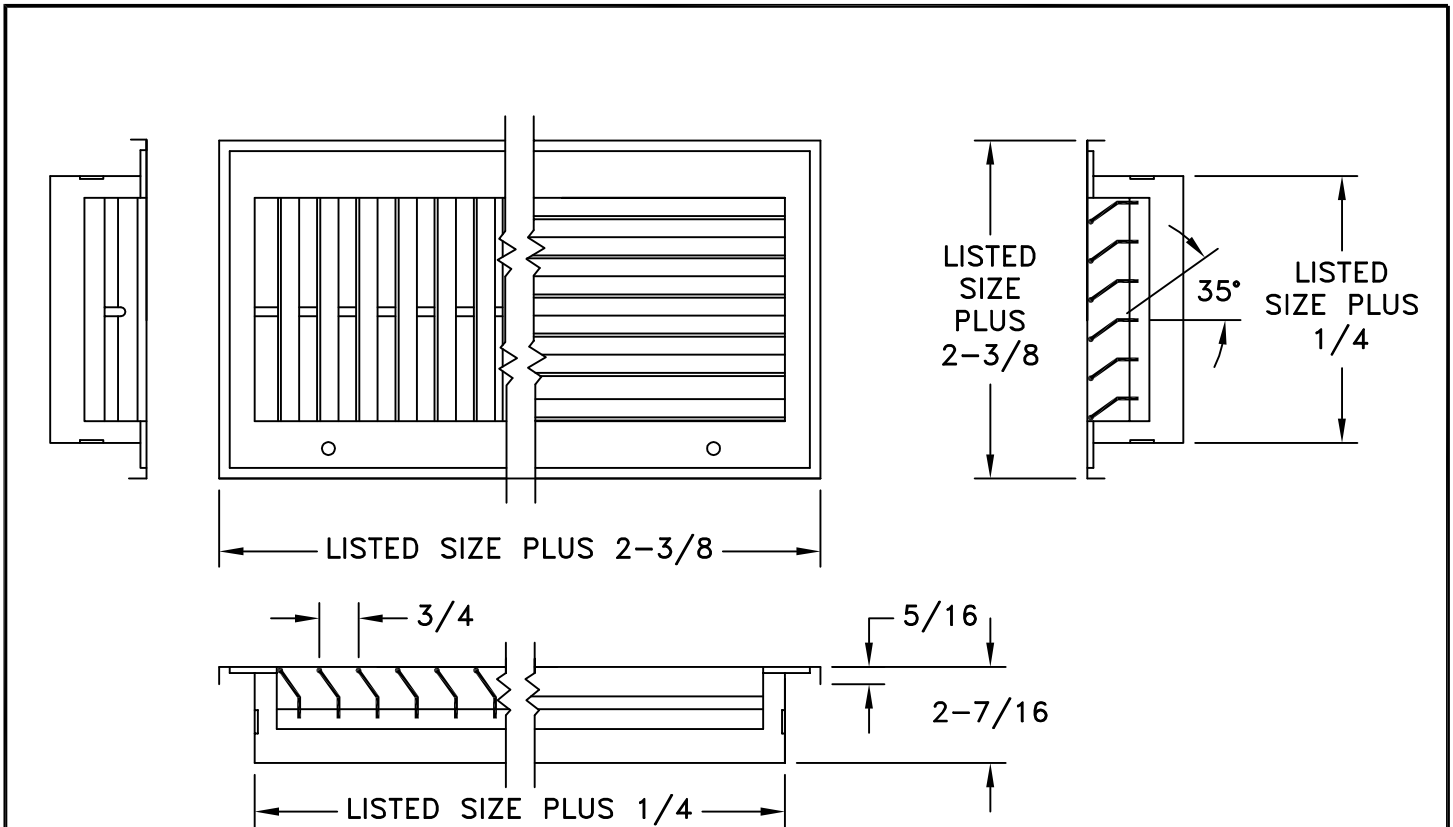


MODEL ALS90-FF/ALS90ZH-FF

GRILLE WITH FILTER FRAME

STANDARD INDUSTRY TOLERANCES APPLY. SPECIFICATIONS SUBJECT TO CHANGE WITHOUT NOTICE.



FRAME STYLE

- FR32 SURFACE MOUNT
- FR33 LAY-IN

FACE STYLE

- ALS90H-FF
- ALS90V-FF
- ALS90ZH-FF (blade defl 0°)

HINGE LOCATION

- HT - HINGE TOP STANDARD
- HB - HINGE BOTTOM
- HL - HINGE LEFT
- HR - HINGE RIGHT

Series ALS90FF Grille with filter frame is designed for use in all types of air conditioning systems. In addition to holding the filter, unit can be used as an access opening into small air handling units. If the hinge location is not specified on the order, the standard location is on top. Standard fastening is knurled knobs located on side opposite hinge. Standard filter frames holds 1" disposable filter (provided by others). 2" and 4" filter sizes also available. Aluminum construction. Standard finish is white.

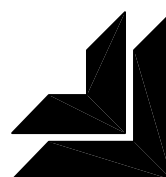
PROJECT: _____

ARCHITECT: _____

ENGINEER: _____

CONTRACTOR: _____

LOCATION: _____



J&J REGISTER
AIR DISTRIBUTION PRODUCTS