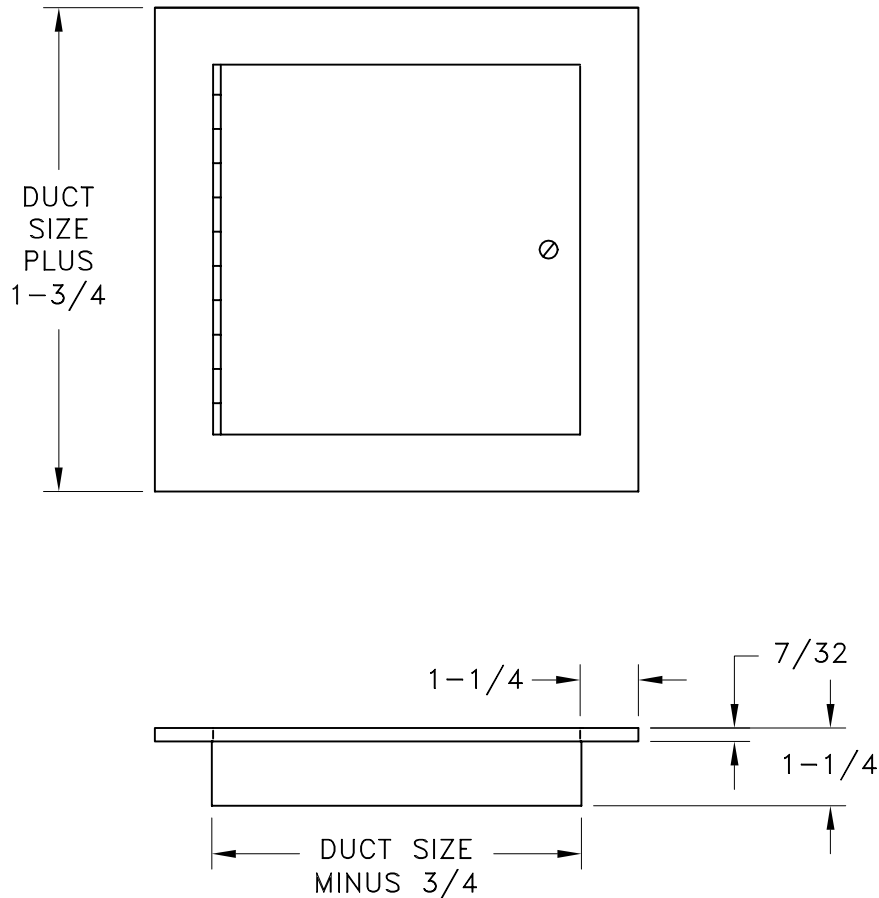


MODEL AD-1

ACCESS DOOR

STANDARD INDUSTRY TOLERANCES APPLY. SPECIFICATIONS SUBJECT TO CHANGE WITHOUT NOTICE.



Model AD-1 Access Doors are constructed of cold rolled steel. Gauge of steel varies with size of door. Continuous door hinge is located on the long dimension. Standard door fastening is flush cam-locks that holds door to frame. Standard finish is white.

PROJECT: _____
 ARCHITECT: _____
 ENGINEER: _____
 CONTRACTOR: _____
 LOCATION: _____



J&J REGISTER
 AIR DISTRIBUTION PRODUCTS