

SUBMITTAL DRAWING

DATE: 05/03/05

SUBMITTED BY:

JOB NAME: _____

LOCATION: _____

ARCHITECT: _____

ENGINEER: _____

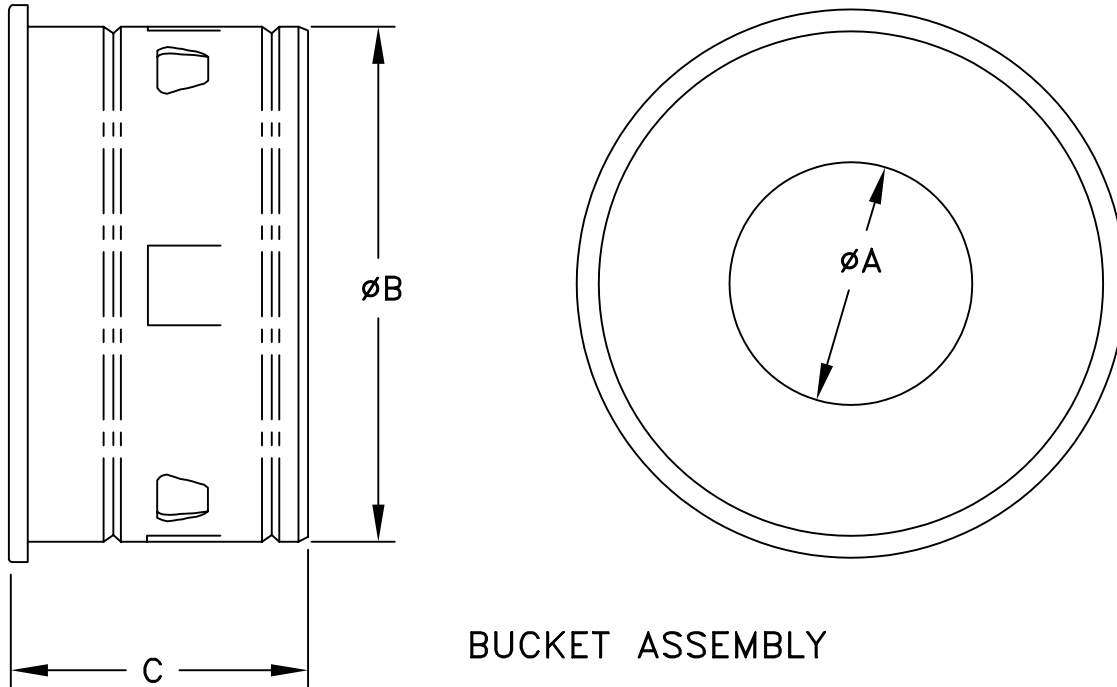
CONTRACTOR: _____

Type B Gas Vent

BUCKET

3" - 22" DIAMETER

DRAWING #: B1-17



PART NO.	SIZE	HOLE A	Ø B	LENGTH C
3-4AB	3"	3"	6-1/2"	3-3/4"
3-4AB	4"	4"	6-1/2"	3-3/4"
5AB	5"	5"	8"	3-3/4"
6AB	6"	6"	9"	3-3/4"
7AB	7"	7"	10-3/8"	6-1/2"
3-4AB	8"	8"	11-7/8"	6-1/2"
9AB	9"	9"	13-1/8"	6-1/2"
10AB	10"	10"	13-1/8"	6-1/2"
12AB	12"	12"	16-1/4"	6-1/2"
14AB	14"	14"	18-1/8"	6-1/2"
16AB	16"	16"	20-1/8"	6-1/2"
18AB	18"	18"	22-1/4"	6-1/2"
20AB	20"	20"	24-3/8"	6-1/2"
22AB	22"	22"	26-1/2"	6-1/2"



• MATERIAL:
MIN., .018 THICK, GALVANIZED STEEL